

FURLING SYSTEMS

English - Version 3 profurl.com



**Jules Verne Trophy,
Vendée Globe...
Profurl raises
the performance!**

PROFURL HAS BEEN DOMINATING THE WORLD OF YACHT RACING!



Whether it was the **Imoca, Maxi trimaran, Trophée Jules Verne, Vendée Globe, The Transat, the Route du Rhum or the Transat Jacques Vabre**, Profurl's products have played a part in all of these victories and all of these adventures. The reason for this success can be summed up in two words: **Nex Hybrid, a world exclusive.**

For more than 4 years, Profurl Nex Hybrid sail furlers have proven their performance and reliability again and again. You can read all about it on page 47. Profurl would like to thank all of the professional sportsmen and women for their faith in us.

Success really is a team effort!

NEX HYBRID 20T

New NEX 8.0 and 12.0 sail furler models:

NEX 8.0 and 12.0 sail furlers are now available in a number of new versions, for example with a Wichard quick-release carabiner and shackle.

See page 30 for all the details.



NEX 8.0
For Gennakers up to 250m²



NEX 12.0
For Gennakers up to 350m²

TABLE OF CONTENTS

PROFURL introduction	p 4 - 8
Manual reefing systems	p 9 - 18
Structural furlers PRO AM	p 19 - 22
Flying sail furlers NEX	p 23 - 32
Top down spinnaker furler SPINEX	p 33 - 38
Furling system accessories	p 39 - 40
Stayfurler NEX STR	p 41 - 46
Flying sail furlers, swivel hooks, stay furlers: NEX Hybrid	p 47 - 50
Motorised furlers	p 51 - 54
In boom mainsail furlers	p 55 - 56
Technical documents	p 57 - 81
Contact	p 82 - 84

Introduction

THE BEST OF PROFURL FOR ALL OUR CUSTOMERS

In 1980 PROFURL developed its first furling system and then quickly became one of the pioneers of this technology, as well as the worldwide market leader.

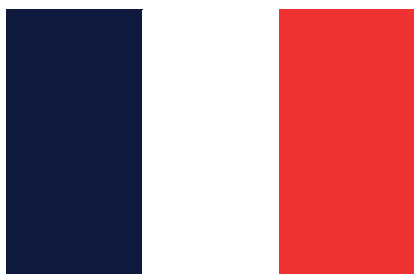
Today, thanks to its over 40 years of experience in the reefing-furling market, PROFURL is still considered as one of the major market players.

Whatever your sailing program is (cruising, racing, off shore), and depending on the size of your boat or your budget, you will always find the appropriate PROFURL product to equip your yacht.

Our motto: Deliver the best of PROFURL technology to all our customers.



X-Plore expeditions - Profurl in the extreme South
Profurl products are designed and manufactured to work for you, no matter where you want to sail. Perfect for all your needs, from the toughest to the smoothest sailing!



PROFURL:

a comprehensive range of products

PROFURL systems are adapted to any kind of sailing program; off shore races, single handed races around the world, cruising...

- > Manual headsail reefing-furling systems for cruising and racing.
- > Motorised headsail systems for big boats.
- > MK4 in-boom furler: for 15 to 18m boats
- > Flying sails furlers for racing and cruising
- > Stayfurlers for racing and fast cruising



© X-YACHTS / Richard Langdon / Ocean Images

PROFURL: a Wichard Group brand

Made in France: Profurl reefing systems are made in France, guaranteeing quality and peace of mind

The Wichard Group, a world famous French marine hardware manufacturer, took over PROFURL in 2002.

Wichard: specialized in marine hardware: blocks, stainless steel products, tiller extensions...



Process of manufacturing

R&D: A high involvement

- > Our products are first developed by the R&D department based in Pornichet on the West coast of France. The systems are developed by a team of highly skilled engineers, assisted by the latest computer tools and softwares.
- > PROFURL products are the result of a tight collaboration between the R&D team and the world's riggers, sail makers and sailors.
- > Each part is submitted to a range of scientific tests in order to test their resistance, beyond what could actually be experienced on a yacht

A rigorous manufacturing process

- > The raw materials are carefully selected and are part of high level specifications, which are planned for extensive use of the systems.
- > The mechanical parts are machined using a controlled patented process, and using extrusions of the purest metallurgical quality. PROFURL systems are not manufactured from castings which can contain impurities which can cause inherent weaknesses.
- > Each part is micro-balled for a perfect surface finish and then anodised in a special green-gold process in order to assure the best protection against harsh marine environment.

Tests at sea

- > Each new product is submitted to the sea in the most extreme conditions.
- > The systems are also tested by marine industry professionals including some of the world's greatest skippers, sailmakers...

The reasons to choose a PROFURL system

- > A comprehensive range of products meeting your needs.
- > Reliable and performant systems.
- > No maintenance required.
- > A warranty on each product (e.g: 10 year warranty for the manual furling systems).
- > A complete traceability process for a better quality.
- > A professional and efficient assistance.
- > A global network of distributors.
- > Over 30 years of experience in the field.
- > Made in France



Traceability process: each Profurl product is identified by a serial number.

Satisfying our customers first



HIGH QUALITY OF PRODUCTS AND TRACEABILITY

Each system has a serial number engraved in order to trace our products throughout the unit life.

WARRANTY

Each PROFURL product benefits from a world wide warranty: e.g. 10 year warranty for the manual headsail furlers.

ASSISTANCE

Our hotline is available to answer all your questions: product choice, special fitting...

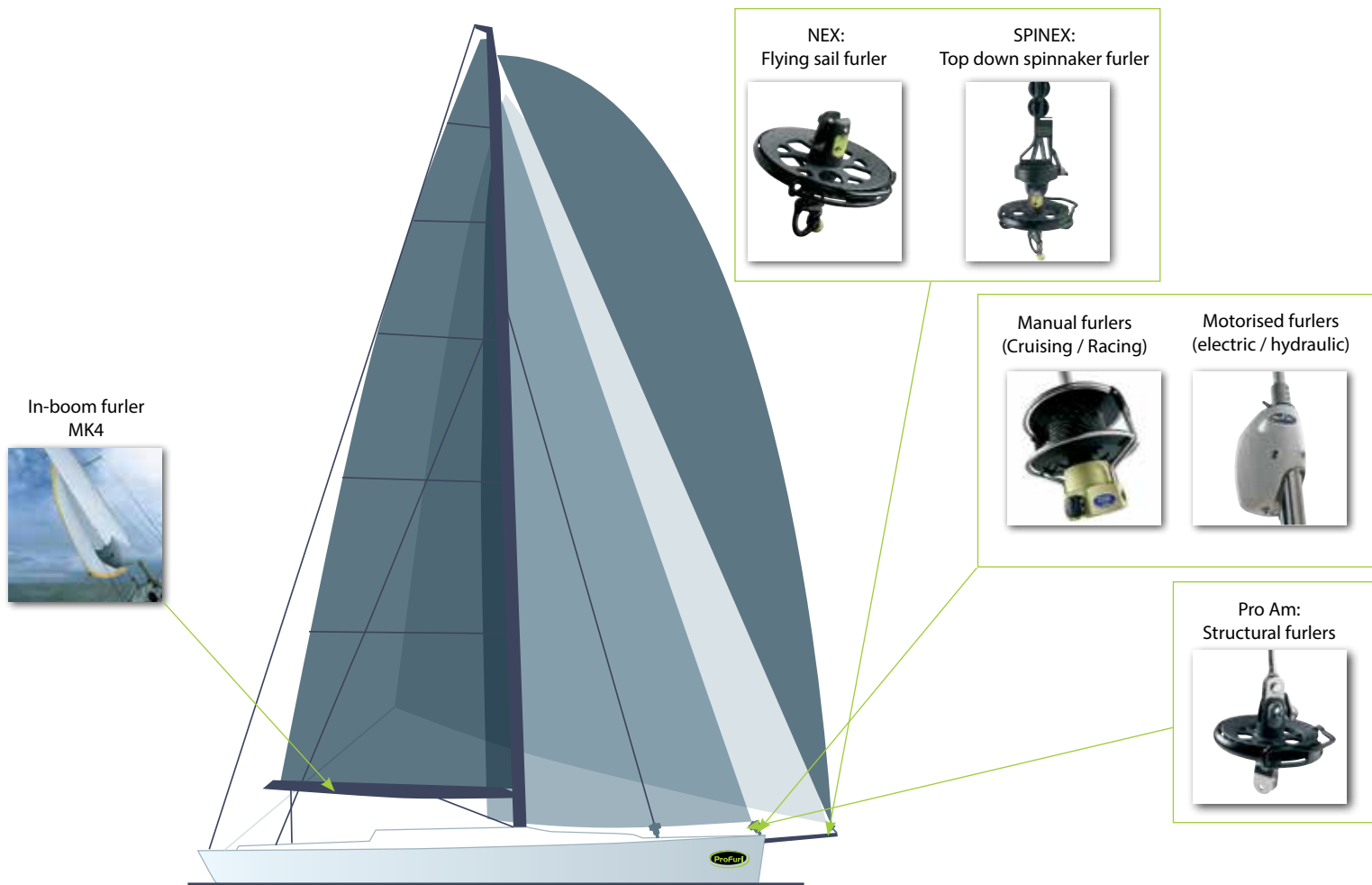
A GLOBAL NETWORK OF DISTRIBUTORS

PROFURL products are distributed in more than 50 countries all over the world through a network of professionals well qualified and regularly trained.



PROFURL PRODUCT OVERVIEW

CRUISING BOATS



	Structural system (acts as a forestay for the mast)	Sails which can be used with this system	Partial furling of the sail	Possibility to sail with a sail fully deployed	Possibility to drop the sails	Sailing programs
Manual reefing systems	No	<ul style="list-style-type: none"> • Genoa • Staysail • Solent jib 	Yes	Yes	Yes	<ul style="list-style-type: none"> • Cruising • Ocean racing • Long distance cruising
Structural furlers PRO AM	Yes	<ul style="list-style-type: none"> • Genoa • Solent jib 	No	Yes	Yes	<ul style="list-style-type: none"> • Regatta / one design • Day boat
Motorised reefing systems	No	<ul style="list-style-type: none"> • Genoa • Staysail • Solent jib 	Yes	Yes	Yes	<ul style="list-style-type: none"> • Cruising • Long distance cruising
Flying sail furlers NEX	No	<ul style="list-style-type: none"> • Gennaker • Code zero • Staysail • Solent jib • etc... 	No	Yes	Yes	<ul style="list-style-type: none"> • Ocean racing • Offshore racing • Regatta • Cruising • Long distance cruising
Top down furler SPINEX	No	<ul style="list-style-type: none"> • Asymmetric spinnaker 	No	Yes	Yes	<ul style="list-style-type: none"> • Cruising • Long distance cruising

RACING BOATS



	Structural system (acts as a forestay for the mast)	Sails which can be used with this system	Partial furling of the sail	Possibility to sail with a sail fully deployed	Possibility to drop the sails	Sailing programs
Flying sail furlers NEX HYBRID	No	<ul style="list-style-type: none"> • Gennaker • Code zero • Sails with hooks 	No	Yes	Yes	<ul style="list-style-type: none"> • Ocean racing • Maxi-yachts
Swivel Hooks NEX HYBRID	No	<ul style="list-style-type: none"> • Sails with hook 	No	Yes	Yes	<ul style="list-style-type: none"> • Ocean racing • Maxi-yachts
Flying sail furlers NEX	No	<ul style="list-style-type: none"> • Gennaker • Code zero • Staysail • Solent jib• etc... 	No	Yes	Yes	<ul style="list-style-type: none"> • Ocean racing • Offshore racing • Regatta • Cruising • Long distance cruising
Stayfurlers NEX STR	Yes	<ul style="list-style-type: none"> • Genoa • Staysail • Solent jib 	No	Yes	No	<ul style="list-style-type: none"> • Ocean racing • Offshore racing • Regatta / one design • Day boat

Introduction



100' multihull Banque Populaire 7



IMOCA Open 60: PRB



103' multihull Idec Sport

Profurl: a major player in ocean racing

Since the 1980s Profurl has been an integral part of regattas and offshore racing history. Boc Challenge, Vendée Globe, Route du Rhum, circumnavigation records, mini transat and more recently the America's Cup... Profurl has stood shoulder to shoulder with skippers and equipped all kinds of racing boats from mini 6.50 to 40 m maxi trimarans.

Our unequalled references

- > 2005: World record of Francis Joyon on the multihull Idec (72 days).
- > 2006: Transpacific record on Geronimo with Olivier de Kersauzon.
- > 2006: 1st rank Route du Rhum - Roland Jourdain on Sill & Véolia (Open 60')
- > 2008: Round the world, non stop, singlehanded record - Francis Joyon on Idec
- > 2010: Route du Rhum: 1st rank: Groupama 3 multihull
- > 2012: 24H solo record: F Joyon / Idec
- > 2013: Single-handed North Atlantic Record: F Joyon / IDEC
- > 2014: Route du Rhum: 1st rank: Banque Populaire 7
2nd rank: Spindrift 2
- > **2015: Transat Jacques Vabre:**
 - 1st rank: Vincent Riou on PRB**
 - 2nd rank: Armel Le Cléac'h on Banque Populaire 8**
- 2016 / 2017:**
 - > **Victory in the Vendée Globe Race**
 - > **The Jules Verne Trophy: the IDEC Maxi Trimaran – F Joyon, breaking the record in 40 days**





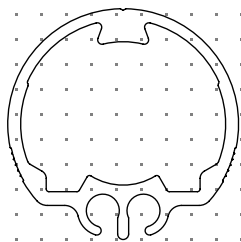
MANUAL REEFING SYSTEMS

Reliability > Performance > Robustness

PROFURL offers a comprehensive range of manual headsail furlers. With its Cruising and Racing models, PROFURL is able to match the expectations of the sailor whatever the sailing program.

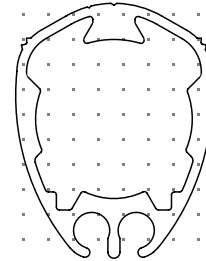


Manual reefing systems



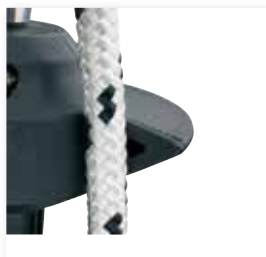
CRUISING SYSTEMS

With 9 models, the Cruising range offers robustness and safety. They are dedicated to boats from 5 to 26 m. They integrate innovations like the double cage arms and the new feeder design. The Cruising models are equipped with silver anodised extrusions.



RACING SYSTEMS

The Racing systems bring performance and ease of use thanks to innovations like the opening pre-feeder delivered as standard. They are dedicated to boats from 6 to 20 m and have been especially designed for the racing-cruising sailors. They are equipped with black aerofoil extrusions.



High performance systems...

- > The extrusions are made lighter and stronger thanks to a special alloy (6106).
- > The ball bearings have an optimized weight / resistance ratio.
- > The Wichard opening pre-feeder is delivered as standard on Racing models to hoist the sail faster.



...reliable and maintenance free

- > The ball bearings are made of high strength 100 C6 carbon steel and are sealed in a grease bath to increase their working load and prevent corrosion.
- > Watertightness is achieved by the use of two double lip seals preventing foreign bodies (salt, sand, dust, water) from entering the bearing mechanism.
- > The not deformable plastic drums withstand impact (e.g: anchor bump, collision) and are resistant to UV.



Ease of use

PROFURL manual furling systems have been designed to ease operations:

- > The standard feeder enables to easily hoist the sail by only one crew member.
- > The optional opening pre-feeder, manufactured by Wichard, smoothly guides the sail's luff tape into the extrusions, whilst rapidly hoisting the sail. When re-hoisting it, the pre-feeder can be reattached to the luff tape without removing the headsail from the extrusion.



Safety of use

- > Double cage arms (exclusive to PROFURL) prevent the furling line from jumping off the drum and allow the furling line to re-align onto the drum by simply pulling on the line.
- > Stainless steel locking devices are dedicated to boats with a closed to deck fitting.
- > On the C480, C520, C530 and R480 models, special locking devices have been designed to withstand the higher loads.



Reliability of materials

PROFURL rigorously selects the materials to be used for the manufacturing of the different components: these parts are submitted to bench-tests in order to assess their resistance.

- > Ball bearings are made of high strength 100 C6 carbon steel.
- > Drums are made of high impact plastic.
- > Extrusions use a special alloy (6106) and offer one of the best weight / resistance ratios.
- > The feeder and the opening pre-feeder are made of stainless steel (316L), except for C290.



The benefits of PROFURL systems

- > A wide range of reefing systems for cruising and racing.
- > Cruising systems for boats from 5 to 26 m with round silver anodized extrusions.
- > Racing models for boats from 6 to 20 m with black aerofoil anodized extrusions.
- > One forestay diameter for one furling system.
- > The ability to use an existing forestay (in most cases).
- > Several fitting possibilities: standard, long link plates, with turnbuckle cylinder, below deck, stainless steel lockers
- > Light and robust extrusions.
- > Maintenance free ball bearings.
- > Insulation of the different materials.
- > **10 year world wide limited warranty.**



RM1360 - FORA MARINE

Manual reefing systems

Components of models (C290 to C430 - R250 to R430)

Swivel:

- Ball bearings sealed in a grease bath.
- Two watertight double lips seals to prevent foreign bodies from entering (water, salt, dust...).

Extrusions:

- Aluminium extrusions (Cruising: round silver anodised / Racing: aerofoil black anodised).
- Light weight specialised alloy.
- Optimum torque resistance.

Locking devices:

- Standard ones for Cruising and Racing models with short link plates
- Stainless steel locking devices with insulated bushes (recommended for boats with high/intensive use). Also mandatory in case of closed to deck fitting.
- The locking devices are available for standard, medium and long link plates attachment configurations.



Wrapstop:

Fixed at the top of the stay, it radically prevents the halyard from wrapping around the stay, and reduces potential halyard chafe.

Feeder (except C290):

- Stainless steel (316L).
- No fitting tool, attachment is made with a Velcro webbing.
- Option: opening pre-feeder from Wichard.

Drum mechanism:

- Withstands tremendous impact.
- Double cage arms prevent the furling line from jumping off the drum.
- Removable: the headsail can be hoisted and set as per a racing foil.
- The drum mechanism contains a maintenance free ball bearings system.



Components of C480, C520, C530 and R480 models

Feeder:

- Stainless steel (316L).
- No fitting tool, attachment is made with a Velcro webbing.
- Option: opening pre-feeder from Wichard.



Locking devices:

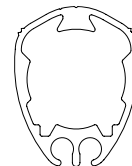
New stream line drum mechanism design. Made from two counter plastic halves, and including retaining screws, to withstand lateral loads.



The C480, C520, C530 and R480 are designed for yachts from 14.5 m to 26 m. They integrate both the current PROFURL components and innovations developed to withstand the loads submitted on yachts of this length.

Extrusion:

A new joiner system with an enhanced grip of the connector screws.



The drum:

As per other PROFURL manual headsail furling models, the rope drum and cage are removable. The furling line is attached to one half of the furling drum allowing for removal/rebuild. The double cage arms are engineered to withstand the yachts loads and maintain the alignment of the furling line onto the rope drum.

Manual reefing systems

DECK ATTACHMENT CONFIGURATIONS

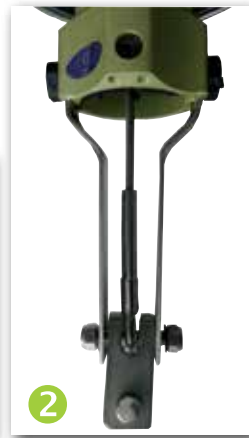
PROFURL furling systems can be adapted to your boat's configuration, not vice versa. PROFURL offers a wide range of fittings, a description of each fitting configuration is listed below:



Long link plates fitting



Standard fitting with short link plates



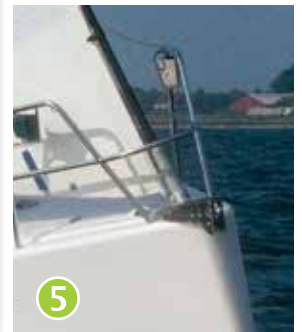
Long link plates fitting



Close to the deck fitting with stainless steel lockers



Fitting with turnbuckle cylinder



Below the deck fitting

What kind of fitting for my furling system?

1

STANDARD FITTING WITH SHORT LINK PLATES

Type of locking devices: standard and threaded pin for a stay eye fitting

- ⊕ Raise the drum mechanism in order to clear the deck in case of obstacles (bow roller etc.).
- ⊕ Fitting with adjustment plates is also possible

2

FITTING WITH LONG LINK PLATES

Type of locking devices: standard

- ⊕ The drum can be lifted to avoid interference with the anchor and to reduce the sail chafe on the lifelines.
- ⊕ The forestay length is still adjustable.

3

FITTING CLOSE TO THE DECK

Type of locking devices: stainless steel and smooth pin

- ⊕ Increase the luff length

4

FITTING WITH A TURNBUCKLE CYLINDER

The rigging screw goes into the turnbuckle cylinder.

- ⊕ The furler can be fitted lower to the deck.
- ⊕ It is also possible to use a combination of a turnbuckle cylinder and long link plates.

5

BELOW THE DECK FITTING

- ⊕ An aesthetic solution chosen by some boatbuilders (Bénéteau, X-Yacht). Please contact us for more information.
- ⊕ Adjustable tack fitting



C260: THE FURLING SYSTEMS FOR LIGHT BOATS

Especially designed for boats from 5 to 7 m, the C260 model is a self-contained halyard furling system. Cost-effective, easy to install on the existing forestay, the C260 does not require any maintenance.

> The self-contained halyard system

On light sail boats - especially fractionally rigged - it is usually difficult to obtain a tight forestay. The C260 with its self-contained halyard helps to minimise forestay sag by reducing mast compression created by a combination of loads from the halyard and sail.

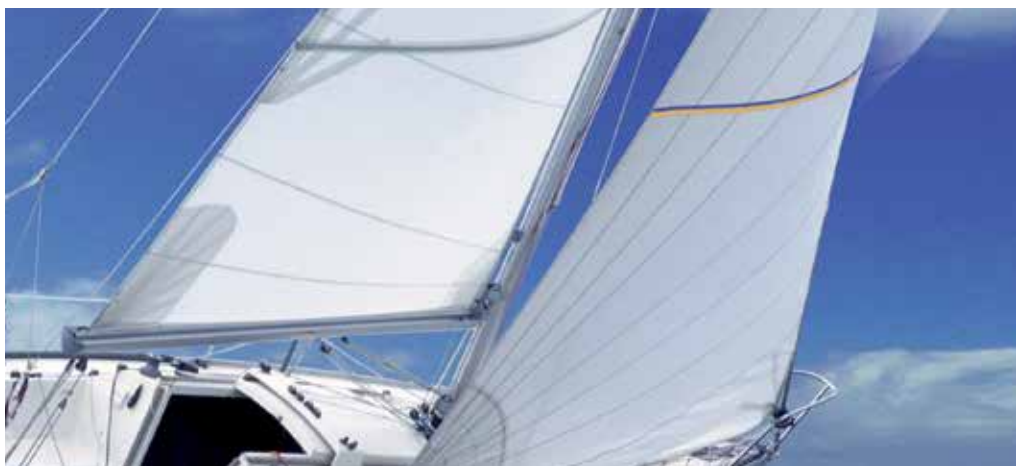
> Ease of installation

The C260 does not require a specialised attachment to the forestay stem head, it is simply attached to the lower swage terminal of the forestay (eye and holes plates or turnbuckle).

For boats transported and stored on a trailer, the C260 can be separated in two sections reducing the risk of damage while in transit.

> Ease of use

The self-contained halyard passes over a sheave box fitted into the top of the extrusion and returns down to a sheave and cam cleat. Once the sail is hoisted and tensioned, the remaining length of the halyard is used as a furling line.



Manual reefing systems



CRUISING MODELS

- > Large range of 10 models for boats from 5 to 26 m.
 - > Round and silver anodised profile.
 - > Several fitting possibilities: adjustment plates, long link plates, turnbuckle cylinder, below the deck fitting, stainless steel locking devices
 - > Additional option: opening pre-feeder, stainless steel locking devices
 - > 10 year world wide limited warranty.
 - > **New:** the C290, C320, C350, C420 and C520 models can hold an increased forestay diameter.
- For example: for an 8mm forestay, you can choose a C320 instead of a C350. If using a swageless eye, you must take both the maximum sail surface area and the drum capacity into consideration.

Cruising range	C260	C290	C320	C350	C420	C430	C480	C520	C530	C700	
	Self-contained halyard	Halyard swivel systems								On demand	
Max forestay Ø (mm)	5	6,35 / 7*	7 / 8*	8 / 10*	10/12,7*	12,7	14,3	16 / 19*	19	25,4	
Equivalent in # rod	-	# 10	# 12	# 17	# 22	# 40	# 48	# 60	# 76	# 150	
Max sail area	15 m ²	30 m ²	40 m ²	55 m ²	80 m ²	100 m ²	120 m ²	140 m ²	220 m ²	300 m ²	
Clevis pin Ø (mm)	-	8-10-12-14-16		10-12-14-16-19-22-25			16-18-19-22-25-28			ND	
Furling standard length (m)	8,50	10	12	14	16	18	18	20	22	ND	
Extrusion length (m)					2					2.5	
Weight / meter (Kg)	0,408	0,557	0,661	0,728	0,933	0,933	1,200	1,460	1,460	2,800	
Removable drum	No	No				Yes				No	
Feeder	No	No				Yes					
Double luff groove	Yes	No				Yes					
Luff line Ø (mm)	6		5					6			
Luff rope pre-feeder	No					Option					
Long link plates	No					Option					
Turnbuckle cylinder	No	Yes			Option						
Stainless steel locking devices	No	Option: all models but C430 model - Specific locking devices: C480, C520, C530									
Warranty		10 year world wide warranty									

*If using a swageless eye, you must take both the maximum sail surface area and the drum capacity into consideration.

How to choose my furling system?

To correctly select your own furling system, refer to the following steps:

- Step 1: Define your sailing program: cruising or racing-cruising.
- Step 2: Measure accurately the diameter of the forestay (see table below).
- Step 3: Choose one of the fitting systems described on page 14.

Model	maxi forestay Ø mm	Boat length (meter)												
		5 - 7	7 - 9	9.50	10	11	12	13	14	16	18	26+		
C260	5	■												
C290	6.35 / 7*		■	■	■									
C320	7 / 8*			■	■	■								
C350	8 / 10*				■	■	■							
C420	10 / 12,7*					■	■	■						
C430	12.7						■	■	■					
C480	14.3							■	■	■				
C520	16 / 19*								■	■	■			
C530	19										■	■		
C700	25.4												■	On demand



RACING MODELS

- > Range of 5 models for boats from 6 to 20 m.
- > Black anodised aerofoil profile.
- > Several fittings: adjustment plates, long link plates, turnbuckle cylinder, below the deck fitting, stainless steel locking devices
- > Options: stainless steel locking devices, turnbuckle cylinder
- > 10 year world wide limited warranty.



Racing range	R250	R350	R420	R430	R480
	Halyard swivel systems				
Max. forestay Ø (mm)	6,35	8	10	11.1	12.7
Equivalent in # rod	# 10	# 17	# 22	# 30	# 40
Clevis pin Ø (mm)	8-10-12-14-16		10-12-14-16-19-22-25		16-18-19-22-25-28
Furling standard length (m)	8	12	14	16	18
Extrusion length (m)	2	2	2	2	2
Weight / meter Kg	0,383	0,638	0,835	0,835	1,200
Removable drum	Yes				
Feeder	Yes				
Opening pre-feeder	Yes				
Double luff groove	Yes				
Luff line Ø (mm)	5 mm				6 mm
Long link plates	Option				
Turnbuckle cylinder	Option				
Stainless steel locking devices	Option for all models but R430 model - For R480 specific locking devices				
Warranty	10 year world wide warranty				

How to choose my furling system?

To correctly select your own furling system, refer to the following steps:

- Step 1: Define your sailing program: cruising or racing-cruising.
- Step 2: Measure accurately the diameter of the forestay (see table below).
- Step 3: Choose one of the fitting systems described on page 14.

Model	Max fore-stay Ø mm	Boat length (meter)													
		6	7	8	9	10	11	12	13	14	16	19			
R250	6.35	■													
R350	8				■										
R420	10					■									
R430	11.1 (rod-30)							■							
R480	12.7 (rod-40)											■			

Manual reefing systems



BELOW THE DECK MODELS

- > For Cruising models from C290 to C430 and Racing models from R250 to R430
- > Adjustable tack point above the deck
- > Aesthetic solution enabling easier operations with anchor
- > Optimized luff and thus better boat performances
- > 10 year world wide warranty



© photo X Yachts

Below the deck fitting	C290	C320SP	C350SP	C420SP	C430SP	R250SP	R350SP	R420SP	R430SP
Max. forestay Ø (mm)	6,35	7	8	10	12,7	6,35	8	10	11,1
Equivalent in # rod	# 10	# 12	# 17	# 22	# 40	# 10	# 17	# 22	# 30
Clevis pin Ø (mm)	8/10/12/14/16		10/12/14/16/19/22/25			8/10/12/14/16		10/12/14/16/19/22/25	
Furling standard length (m)	10	12	14	16	18	8	12	14	16
Extrusion length (m)	2 m								
Weight / meter Kg	0,557	0,661	0,728	0,933	0,933	0,383	0,638	0,835	0,835
Removable drum	No								
Feeder	No	Yes							
Opening prefeeder	Option					Yes			
Double luff groove	No	Yes							
Luff line Ø (mm)	5								
Long link plates	Option								
Turnbuckle cylinder	Yes								
Stainless steel locking devices	Option for all models but C430SP and R430SP models								
Warranty	10 year world wide warranty								

Frequently asked questions: manual furling systems

Does my furling system require maintenance?

No, as per all PROFURL products, the furling systems do not require any maintenance.

Do I benefit from a warranty on my manual furling system?

Yes, all the manual furling systems have a limited 10 year world wide warranty.

Can I install a furling system on my existing forestay?

Yes, as opposed to other competing products, the PROFURL furling systems can be installed on the existing forestay.

What are the differences between a Racing model and a Cruising one?

On a Racing model, the profiles are aerofoil and black anodised and includes the opening pre-feeder as standard. On a Cruising model, the extrusions are round and silver anodised.

Why having a removable drum on most of the Profurl systems?

The drum is easily removable, so that once the drum and rope guard have been removed the furling system can be used as a racing foil.

See comparison table on page 7



PRO AM

STRUCTURAL FURLERS

PRO AM is the new generation furler for 5 to 12 m boats designed to sail with sails fully unfurled..



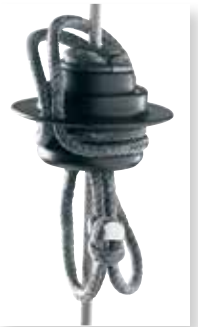
PRO AM STRUCTURAL FURLERS

PRO AM STRUCTURAL FURLERS

PRO AM is a new generation of structural furlers for 5 to 9.5 metre boats designed for “all or nothing” sailing (with sails fully unfurled). The sail is hoisted and hauled thanks to a second swivel called a “halyard swivel”. PRO AM also allows you to strike the sail for wintering, maintenance or just for storage after use. 3 sizes available for 5, 6 and 7 mm diameter stays.

Why choosing PRO AM?

- > The ideal system for Day Boats and Sports Boats
- > Light and easy to handle
- > Sail can be hoisted and lowered
- > Possibility to remove easily the halyard swivel only.
- > Quick fitting and removal for trailer boats
- > Profurl system: maintenance-free components mounted in a sealed grease bath.
- > Three-year Profurl worldwide limited warranty.



Wichard textile fastening system

What's the difference between PRO AM and a classic furler?

Structural

- > The stay fastens directly on the spool and the swivel, so PRO AM supports the mast.

All or nothing sailing

- > Because it is a structural element, PRO AM allows you to sail with the sail fully unfurled or fully furled. A classic furler with extrusions allows you to sail partially furled.

Efficient

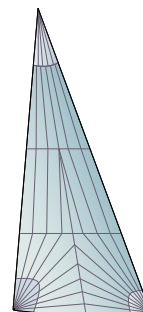
- > The PRO AM halyard swivel is fitted with ball bearings to ensure excellent rotation even under heavy loads.
- > PRO AM has light and compact components (spool and swivel) and textile fastening systems on the halyard swivel. With no extrusions to increase windage, the sail enjoys superior performance.

PRO AM applications

- > Day boats
- > Sports boats
- > One designs and class boats (J80, Surprise, Dragon...)

Sail types

- > Jib, solent mounted on snap hook or sleeve





PRO AM: how does it work?

- 1 Unlike a classic furler, the PRO AM has a halyard swivel (or tensioning swivel) which allows you to hoist and lower the sail.
- 2 Attachment of the halyard on the halyard swivel
- 3 The halyard clew of the sail is fastened to the Wichard soft shackle.
- 4 The head swivel allows the cable to rotate and thus furl the sail.
- 5 The tack of the sail is fastened to the Wichard shackle.
- 6 The stay (5, 6 or 7 mm single strand) is fastened to the drum and the swivel at the head
- 7 The stainless steel toggles are fitted to the boat's deck and mast.



Performance

S-GRIP: Better line grip

The special groove design, allowing for deformation of the line, ensures:

- better line grip, even when wet!
- easier furling
- minimum line wear



OPTIMAL FURLING: Furl without effort

The optimal spool diameter provides ideal torque, which:

- makes furling easier
- reduces effort



XTRA-LIGHT SYSTEMS: Lightness first

The size and weight of each component (spool, swivel, and terminals) have been optimised to:

- improve sailing performance
- ensure easier handling of the systems



Safety

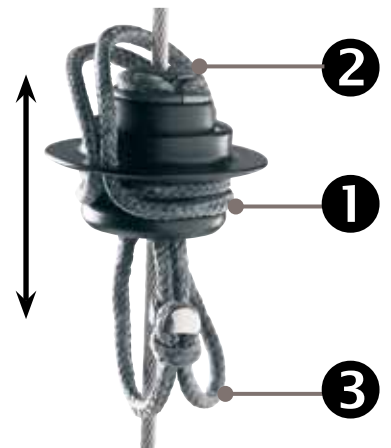
SAFE SYSTEM enables you to stop the running of the furling line during deployment of sail and thus:

- prevent accidents or damage caused by a free running line.
- manoeuvre more quickly and easily
- prevent excessive wear of the line



SMART LOCK: Wire lock (only on fork models)

- Wire locking system completely integrated into the drum mechanism
- No need to use a lanyard.
- No risk of jamming caused by adjacent lines.
- Keeps the pin free to turn (no strain).
- Locking indicator on the pin.



PRO AM STRUCTURAL FURLERS

CHOOSE YOUR PRO AM FOR BOATS FROM 5 TO 12M:

	PRO AM 1.0	PRO AM 2.0	PRO AM 3.0
Boat length	from 5 to 7 m	from 7 to 9,5 m	from 9 to 12 m
Forestay diameter	5 mm	6 mm	7 mm
System working load*	1000 Kg	2000 Kg	2000 Kg
Halyard swivel working load	600 Kg	600 Kg	600 Kg
Spool diameter	120 mm	150 mm	150 mm
Pin toggle diameter	8 mm	10 mm	12 mm
Pin eye diameter	8 mm	10 mm	12 mm

*: The spool and swivel working loads take into consideration the stainless steel cable breaking loads used as a forestay.



Frequent questions: structural furlers

Is my PRO AM structural furler a forestay?

Yes, the PRO AM furler is "structural" which means that, combined with the stainless steel cable, it acts as a forestay.

What types of sail can be used with PRO AM ?

Foresails (genoa, solent) bent on with snap hooks.

Can I lower a sail once it has been fitted?

Yes, thanks to the halyard swivel you can hoist and lower the sail whenever you need to (for storage, wintering, maintenance, etc.).

How do I use PRO AM?

PRO AM is to be used for sails that are fully unfurled. Partial furling of the sail is not possible with this type of system.

Can I remove PRO AM easily?

Yes, PRO AM can be removed easily, for example, when you have to put your boat on a trailer

Is the stay fastened to the system securely?

Yes, PRO AM features Smart Lock which ensures that the cable is locked to the system and prevents any accidental removal.

Is my PRO AM guaranteed ?

Yes, all PRO AM structural furlers come with a 3 year international guarantee.

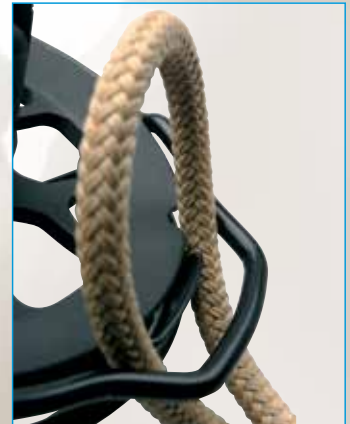
See comparison table on page 7



FLYING SAIL FURLERS

NEX : The new generation of flying sail furlers from Profurl

Fast, safe and easy flying sail hoisting, and improved boat performance: this is what Profurl offers you with its range of **NEX** flying sail furlers.



Flying sail furlers

NEX GENERATION: THE FLYING-SAIL FURLER FOR EVERY SAILOR

Discover the NEX, Profurl's new generation of continuous-line, flying-sail furlers, developed through Profurl's know-how and R&D with input from some of today's greatest skippers to improve the performance of your yacht and ensure safe, optimum deployment of your flying sails.

The NEX flying-sail furler enables you to sail with the correct sail fully deployed, and since it is easy to change, you can have the best sail in any wind conditions. The NEX is made for every sailor, professional or amateur.

NEX: models

- > 6 models available for boats from 6 to 25m: NEX0.9, NEX1.5, NEX2.5, NEX5.0, NEX 8.0 and NEX 12.0
- > Optimal size and weight
- > Wide range of terminals to fit your boat: Wichard snap shackle, MXEvo (Wichard halyard shackle), standard shackles, 2:1 halyard blocks
- > Proven Profurl Technology: maintenance free systems permanently sealed in grease (except the NEX0.9)
- > Selective materials: for optimal strength/weight ratio
- > 3 year world-wide limited warranty

NEX 0.9



NEX 1.5



NEX 2.5



NEX 5.0



NEX 8.0



NEX 12.0



+ Mechanisms in titanium



Benefits of NEX flying sail furlers



Improved performance

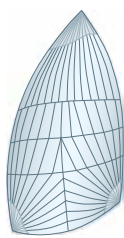
- > Allows use of the best suited sail to sailing conditions
- > Optimal size and weight (e.g., maximum sail luff)



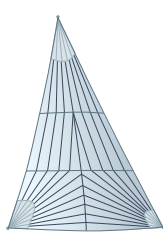
Ease of use and safety

- > Quick operations (rigged in seconds)
- > Enhanced safety: sail furled from cockpit
- > Reduced sails storage
- > Quick sail attachment device (I-Connect)
- > Quick line installation and removal (Quick Fit)

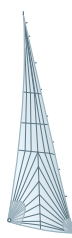
NEX: Sail range of use



Gennaker



Code Zero



Staysail

*The flying sail furlers can not be used with asymmetric spinnakers.

Types of sails

The flying-sail furler is designed to be used with light and heavy flying, asymmetrical sails, e.g., gennaker and code zero, between a beam reach and a broad reach.



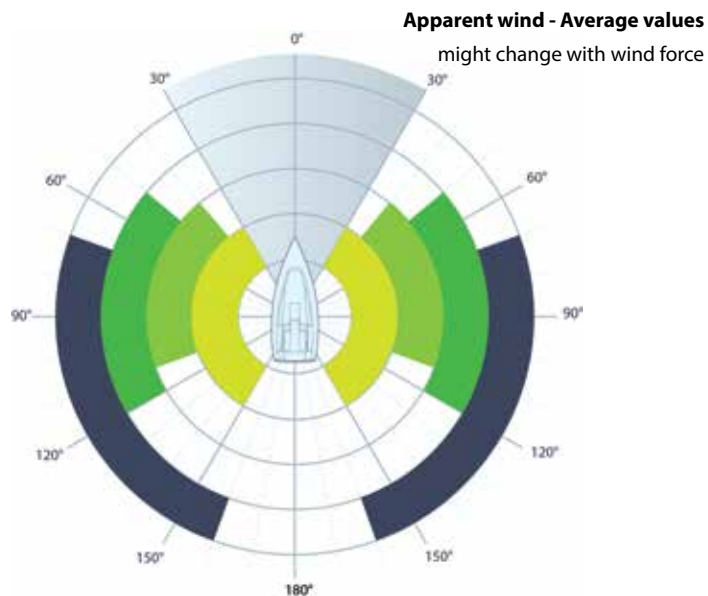
Light sails

- > Gennaker, code zero, screacher, light or mutlipurpose genoas, fisherman.



Heavy sails

- > Solent, reacher, staysail, storm jib
- > Combined with a 2:1 purchase, NEX is an efficient alternative to a removable stainless steel forestay.



Download
the NEX video

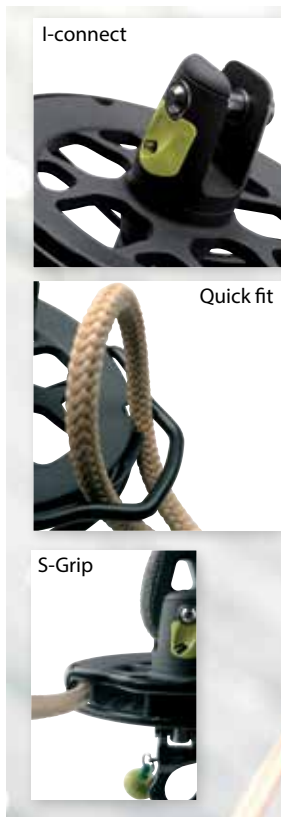


Tips:

- > To furl the sail effectively and without effort, it is recommended to tension the halyard before the operation.
- > The NEX flying sail furlers do not require any maintenance.



Flying sail furlers



Performance

S-GRIP: Better line grip

The special groove design, allowing for deformation of the line, ensures:

- better line grip, even when wet!
- easier furling
- minimum line wear



OPTIMAL FURLING: Furl without effort

The optimal spool diameter provides ideal torque, which:

- makes furling easier
- reduces effort



XTRA-LIGHT SYSTEMS: Lightness first

The size and weight of each component (spool, swivel, and terminals) have been optimised to:

- improve sailing performance
- ensure easier handling of the systems



Safety

SAFE SYSTEM: Removable Line

The SAFE SYSTEM enables you to stop the furling line running during sail deployment and thus:

- prevent accidents or damage caused by a free running line.
- manoeuvre more quickly and easily
- prevent excessive wear of the line

Easy to use

I-CONNECT: The Quick Sail Attachment Device

Available on NEX spools and swivels, enables you to quickly attach or remove the sails because of:

- a quick, ergonomic system (for singled handed operation)
- a fully integrated captive pin
- no risk of fouling with adjacent lines

QUICK FIT: Line Fitting

Enables you to fit or unfit the continuous line rapidly.

- rapid fitting
- long splicing possible
- the furling line may be left in position on deck
- furlers can be changed without changing the line

TUNE & LOCK: Adjustment and installation

The system is fitted and adjusted with a single screw:

- adapts to the line outlet and deck layout
- reduction of excessive line friction
- quick installation with only one pre-fitted screw

Flying sail furlers

CHOOSE YOUR NEX AMONG 4 MODELS FOR BOATS FROM 6 TO 18M

	NEX 0.9	NEX 1.5	NEX 2.5	NEX 5.0
Max light sail area (i.e: gennaker)*	35 m ²	60 m ²	80 m ²	150 m ²
Max Working Load**	900 Kg	1500 Kg	2500 Kg	5000 Kg
Spool Diameter	125 mm	140 mm	180 mm	195 mm
Displacement (cruising boat)*	2800 Kg	5000 Kg	8500 Kg	15000 Kg
Examples for a monohull*	Mini 6.50 - Cruising boat 27'	Cruising boat 32'	Cruising boat 42'	Cruising boat 55'

If used on a multihull or for a heavy sail (on monohull), please choose the larger model .

*: The values shown in the table are for information only and should be verified by a professional taking into account the characteristics of the boat.

** The working loads shown are the maximum working loads of the mechanisms only and are not the loads of the complete system when terminals are included (see technical data on page 70). The product should not be used above these working loads in any circumstances.

TERMINALS AND ACCESSORIES

	NEX 0.9	NEX 1.5	NEX 2.5	NEX 5.0
Lower terminals on drum mechanism				
Clevis pin snap shackle	included	included	included	included
MXEvo: halyard shackle	option (MXEvo ø 6)	option (MXEvo ø 6)	option (MXEvo ø 8)	option (MXEvo ø 10)
Upper terminals on swivel				
Wichard shackle	included	included	included	included
MXEvo halyard shackle	option (MXEvo ø 6)	option (MXEvo ø 6)	option (MXEvo ø 8)	option (MXEvo ø 10)
Halyard block	option			
Accessories				
Thimbles	option: stainless steel thimbles with bar		option: aluminium thimbles	
Furling line	option			
Anti-twist torque rope	option			



Components of NEX flying sail furlers

The NEX flying-sail furlers are composed of 2 mechanisms, the spool and swivel, each with terminals allowing for fitting or use. An anti-twist torque rope which transmits the rotation up to the head of the sail is fitted inside the luff of the sail supplied by the sailmaker.

Spool and swivel



Fitting terminals



Clevis pin snap shackle:
lower terminal



MXEvo: halyard shackle
lower and upper
terminal



HR Wichard
shackle

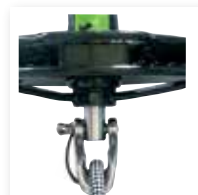
Profurl innovative terminal solutions by Wichard

Profurl supplies innovative terminals: easy to use and with optimal sizes and weight. Wichard's forging expertise ensures that these terminals, especially developed for NEX, provide one of the best strength to weight ratios on the market.

> MXEvo: Wichard halyard shackle (option on all NEX models)



- Captive pin thanks to a leash
- Reduces mast compression
- Optimal dimensions and weights
- Replaces standard halyard blocks
- Can be used as 2:1 purchase on drum mechanism
- Can be used as a simple shackle (with a single knot)
- Perfect for swivels and spools
- Outstanding working and breaking loads
- Material : body in 316L stainless steel and pin in HR S/s.
- 3 sizes available: MXEvo ø 6, MXEvo ø 8 and MXEvo ø 10 – for lines from 8 to 14 mm



> Double
fairlead for
continuous
line

> Aluminium thimble / Stainless steel thimble



> Wichard Clevis Pin Snap Shackle



- Included on all models
- Ergonomic ball stoppers for easier handling
- Optimal sizes and weights (no intermediate fittings)
- Forged in 17/4 stainless steel for High Resistance, with a black surface coating
- Outstanding working and breaking loads

Leggero L8



Flying sail furlers

**YACHTS, MAXI-YACHTS,
RACING BOATS, MAXI CATAMARANS:
CHOOSE NEX 8.0 AND NEX 12.0 FURLERS**



70' Maxi Catamaran - Roleeno - built by Sunreef - fitted with Profurl



103' Maxi Trimaran Idec Sport

NEX 12.0
For gennakers up to 350 m²

NEX 8.0
For gennakers up to 250 m²



+ Titanium parts



NEX 16.0, NEX 20.0
NEX 25.0, NEX 30.0...
Larger sizes available on request



DRUM VERSION ALSO AVAILABLE



Benefits of the NEX 8.0 and 12.0

Ideal for solo or short-handed sailing

NEX 8.0 and 12.0 furlers are specially designed to optimize the weight and size of their moving parts, in particular the spool whose increased diameter means you get a system which is:

- > Easy to use when furling and setting
- > Easy to handle
- > Incredibly efficient

NEX 8.0 - NEX 12.0 STANDARD RANGE

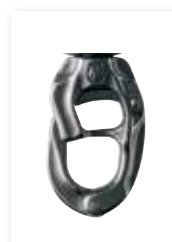
	NEX 8.0	NEX 12.0
Max light sail area (i.e gennaker)	250 m ²	350 m ²
Max working load**	8000 Kg	12.000 Kg
Spool diameter	200 m	230 m
Boat examples	Multihull 60'	+ 80'

ASSEMBLY OPTIONS:

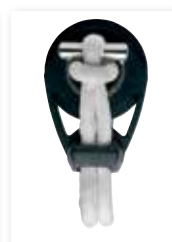
For the models NEX 8.0 and NEX 12.0, Profurl offers a wide range of tack and head fittings to ensure seamless integration into your rig.



Lashing eye



Trigger snapshackle:
Wichard
Part # 2656



Halyard block



Trigger snapshackle:
Tylaska T30



Hardsheave
3:1



Wichard
D shackle
Part # 11206

	NEX 8.0	NEX 12.0
Lower terminals available		
Lashing eye	Yes	Yes
Trigger snapshackle	Yes Part # Wichard 2656	No
Halyard block	Yes	Yes
Hardsheave 3:1	Yes	Yes
Trigger snapshackle	Tylaska T30 on demand	No
Upper terminals available		
Lashing eye	Yes	Yes
D shackle	Yes part # Wichard 11206	No
Halyard block	Yes	Yes

*: The values shown in the table are for information only and should be verified by a professional taking into account the characteristics of the boat. **The working loads shown are the maximum working loads of the mechanisms only and are not the loads of the complete system when terminals are included (see technical data on page 70). The product should not be used above these working loads in any circumstances.

Flying sail furlers



EC 1500

EC MODELS: FLYING SAIL FURLERS WITH DRUM

- > With a drum and a single furling line similar to manual headsail furler.
- > Economical system.
- > Wide choice of attachments (snap shackle, large eye...).
- > New: black anodised mechanisms

	EC 1500	EC 2500	EC 4000	EC 6000	EC 12000
Max Working Load*	1500 Kg	2500 Kg	4000 Kg	6000 Kg	12000 Kg
Boat size if light sails*	36'	42'	55'	70'	120'
Boat size if heavy sails*	35'	38'	50'	60'	70'
Average sail area*	35 m ²	45-50 m ²	80 m ²	140 m ²	260 m ²

*: The values shown in the table are for information only and should be verified by a professional taking in to account the characteristics of the boat.

Fitting options for EC models

	EC 1500	EC 2500	EC 4000	EC 6000	EC 12000
Terminal on anti twist luff rope	Eye / standard thimble	Eye / standard thimble	Eye / standard thimble	Eye / standard thimble	Eye / standard thimble
Upper terminal on swivel	Large eye	Eye or block	Eye or block	Eye or block	Shackle
Lower drum attachment	Large eye	Large eye	Snap shackle	Large eye / block	Double jaw toggle

Frequently asked questions: flying sail furlers

Does my flying sail furler require maintenance?

No, the drum mechanism and swivel are sealed in a grease bath, no maintenance is required.

Is my flying sail furler structural?

No they are the opposite of a structural furler or manual headsail furler, flying sail furlers are not structural and are therefore removable

Can I sail with my sail partially furled?

No the flying sail furlers are made to sail with the sail fully unfurled.

Where can I buy an anti twist "Torque" rope?

Rope manufacturers, riggers, and sailmakers usually sell this kind of product. Profurl is also able to provide this product. Contact us.

Can I use my current sails?

Yes, however a sailmaker must integrate the anti twist cable into the luff of the sail.

Is the storage of sail optimized?

Yes, once the sail is furled and dropped, the storage is optimized. The sail can also be stored onto the deck or along the mast.

I am not a professional skipper; can I use this kind of furlers?

The flying sails furlers are dedicated to anybody willing to improve the performances of his boat (professional skippers but also sailor's keen on cruising).

Is my PROFURL flying sail furler under warranty?

Yes, the flying sail furlers benefit from a 3 year world wide warranty.

See comparison table on page 7



TOP DOWN SPINNAKER FURLER

SPINEX

(Re)discover the joys of asymmetric spinnakers.
Handle an asymmetric spinnaker easily and safely

Top down spinnaker furler

SPINEX

(Re)discover the joys of asymmetric spinnakers

SPINEX: overview

- > 4 models available: SPINEX 0.9, SPINEX 1.5, SPINEX 2.5, SPINEX 5.0
- > For boat lengths of 5 to 18 m and asymmetric spinnakers
- > Delivered as standard: anti-twist cable, end fittings, high-density spheres
- > SPIN KIT available separately, fits NEX furlers
- > Uses Profurl technology
- > Three-year Profurl international warranty
- > Patented system

Why choose Spinex

Easy to use, safe, efficient, adaptable

Using asymmetric spinnakers in some conditions can be dangerous. With the Spinex, you're going to rediscover the joys of this type of sailing because it allows you to:

- > Easily handle this type of sail (even short-handed)
- > Remain in the safety of the cockpit
- > Improve the performance of your sailing-boat by using downwind sails

Adaptable: One system for many uses

The Spinex can easily be converted into a NEX by removing the swivel tack from the drum and the end fittings, and then it can be used for sails like a gennaker or a code zero.

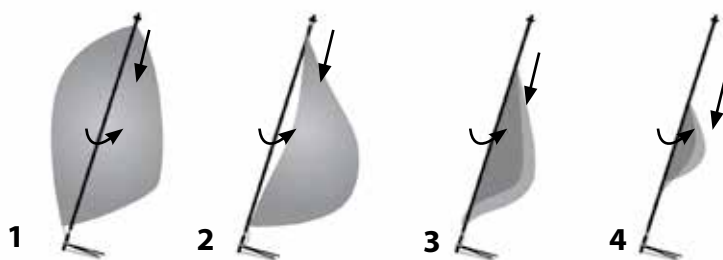




Top down furling

> When it comes to asymmetric spinnakers, top down furling is the best solution for bringing in your sail. The concept first appeared on maxi yachts before filtering down to more modestly-sized sailing-boats.

> Thanks to its swivel tack, the sail can be furled from the top downward to progressively stifle the sail without creating a jam.



**Download
the Spinex video**



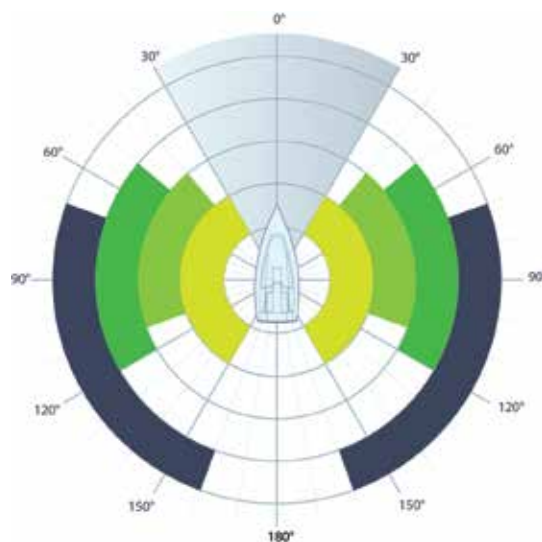
Which sails ?

> The Spinex is designed to furl flying sails with a loose luff, such as asymmetrical spinnakers.

> Gennakers, code zeros, staysails and so on can be furled using a NEX furler (see page 24 of this catalogue).

SPINEX Asymmetric spinnaker

NEX } Genoa / staysail
 Code 0
 Gennaker



Top down spinnaker furler

SPINEX



ADVANTAGES TO USING SPINEX

> SAIL BEARING TECHNOLOGY: EFFICIENT, RELIABLE FURLING

Problem: Because asymmetric spinnaker cloth is both light and fragile, the anti-twist cable has a tendency to damage it. Also, the cable spins faster than the sail during furling which means the latter sometimes jams.

Profurl solution: Sail Bearing Technology comprises high-density spheres that spin freely around the anti-twist cable in order to protect the sail from the cable. Sail Bearing Technology allows you to:

- keep the sail away from the cable
- stop reverse furling, which causes the sail to jam
- reduce wear of the sailcloth
- make furling easier and faster because it has a greater diameter than the cable on its own

> A COMPLETE SYSTEM READY TO USE

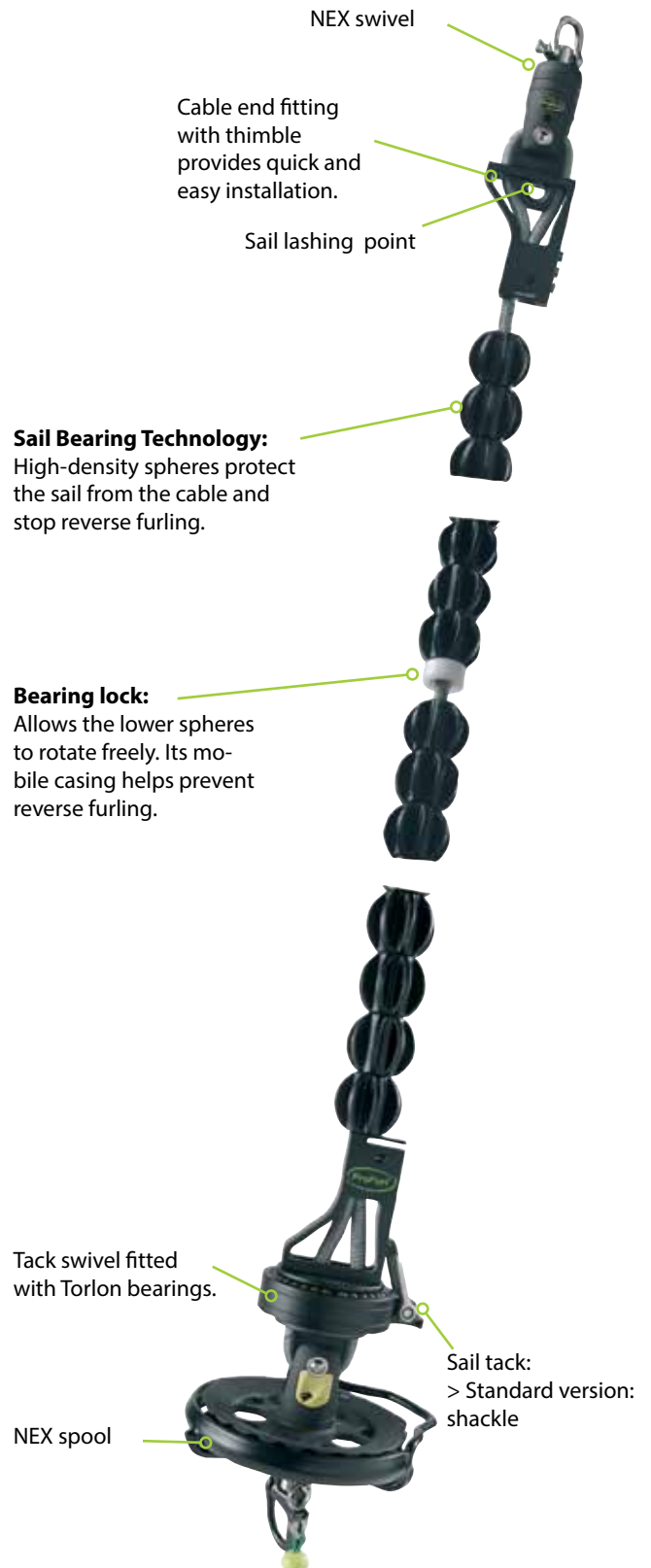
- SPINEX comes with drum, swivel, cable, end fittings, tack swivel, etc.
- Except for the length of the cable, SPINEX is ready to fit and ready to use out of the box.

> MULTI-PURPOSE AND ADAPTABLE

- Remove the tack swivel and turn your SPINEX into a NEX ready to use with gennakers and code zeros.
- Profurl's SPIN KIT fits on NEX furlers.

> OTHER ADVANTAGES:

- Compatible with NEX technology, such as I-Connect, Safe System, etc.
- Improved safety when worked from the cockpit or short-handed.
- Requires little storage space.
- System compatible with all types of asymmetric spinnakers.





CHOOSE THE RIGHT SPINEX FOR YOU (5–18 M BOATS):

	SPINEX 0.9	SPINEX 1.5	SPINEX 2.5	SPINEX 5.0
Boat length (not contractual)	up to 9 m	up to 11 m	up to 14 m	up to 18 m
Sail area recommended	up to 50 m ²	up to 80 m ²	up to 130 m ²	up to 250 m ²
Maximum working load	900 Kg	1500 Kg	2500 Kg	5000 Kg
Spool diameter	100 mm	120 mm	150 mm	195 mm
Lower end fitting	Clevis pin snap shackle			
Upper end fitting	D shackle			
Anti-twist cable Ø	9.5 mm	9.5 mm	12.7 mm	12.7 mm
Cable length delivered as standard	14 m	17 m	20 m	25 m
Weight of cable & spheres per m	0.450 Kg / m	0.450 Kg / m	0.460 Kg / m	0.460Kg / m

*: The working loads shown are the maximum working loads of the mechanisms (spool and swivel) only and are not the loads of the complete system when terminals are included. The product should not be used above these working loads in any circumstances.

SPINEX: content



Are you already using a Profurl NEX furler and want to furl your asymmetric spinnaker? Get the SPIN KIT!

Use Profurl's SPIN KIT to turn NEX furlers into asymmetric spinnaker furlers. SPIN KIT includes anti-twist cable, spheres, and upper and lower end fittings.

	SPIN 0.9	SPIN 1.5	SPIN 2.5	SPIN 5.0
Boat length (not contractual)	up to 9 m	up to 11 m	up to 14 m	up to 18 m
Part #NEX	NEX 0.9	NEX 1.5	NEX 2.5	NEX 5.0
Cable length delivered as standard	14 m	17 m	20 m	25 m

Top down spinnaker furler SPINEX

ADVICES FOR USING THE SPINEX



1st time:

> When setting for the first time, we recommend you do this in light winds. Check all halyard and sheet leads.



Furling:

> Tension must be applied to anti-twist cable by hauling on the halyard. It should be taut and stable. Be careful not to apply excessive tension, especially when you use an electric winch.



Direction of furling:

> As the anti-twist cable is a shape-memory component, we recommend you always furl your sail in the same direction to facilitate handling.



Wind angles:

> When unfurling the sail, stay within an apparent angle of between 90 and 120 degrees to help setting.

When furling, the apparent angle must be within 150 and 160 degrees (with the mainsail set to the head of the mast).

GET INSTALLATION ADVICE ON PAGE 73

Download the Spinex User Manual and watch the video at www.profurl.com and on YouTube.



Frequently asked questions about the asymmetric spinnaker

Can I use my existing asymmetric spinnaker?

Yes, the Spinex is designed to be used with existing asymmetric spinnakers

Can I use it to furl my symmetrical spinnaker?

No, the Spinex is designed for asymmetric spinnakers only.

Can I furl other kinds of flying sail?

Yes, by removing the swivel tack and the end fittings, the SPINEX becomes a NEX and can be used to furl flying sails such as gennakers and code zeros.

I already have a furler, such as a NEX or other, can I use it for furling my asymmetric spinnaker?

Yes, all you have to do is get the SPIN KIT which includes the swivel tack and the end fittings. It can also be fitted to the

systems of some competing brands.

Can I partially furl my asymmetric spinnaker?

No, it's an all or nothing system which requires you to furl the entire sail.

Is the SPINEX heavy or cumbersome?

The SPINEX is heavier than a classic system but the cable and the balls ensure optimum performance. So it's a question of compromise. However, once furled, the SPINEX can be easily stowed in the sail bag.

Accessories for furlers and flying sail furlers



For its manual headsail and flying sail furling systems Profurl offers a range of accessories including fairleads, lines and terminals.

FAIRLEAD RANGE: DEDICATED TO THE LINE DEVIATION OF MANUAL HEADSAIL AND FLYING SAIL FURLING SYSTEMS



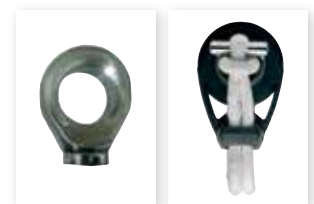
Part #	Description	Applications
20120	Stainless steel single fairlead For 25mm stanchion Maximum line diameter : 20mm	For manual headsail, flying sail and stayfurlers with drum
21020	Deck fairlead – M10 screw	For manual headsail, flying sail and stayfurlers with drum
20220	Stainless steel double fairlead with Velcro stripe for continuous line For 25mm stanchion maximum Maximum line diameter : 20mm	For flying sail and stayfurlers with spool
21220	Stainless steel double fairlead with Velcro stripe for continuous line For 28mm stanchion maximum Maximum line diameter : 20mm	For flying sail and stayfurlers with spool
21120	Stainless steel articulated fairlead - For 25 & 28mm stanchion maximum Maximum line diameter : 20mm	For manual headsail, flying sail and stayfurlers with drum

TERMINALS AND ACCESSORIES FOR FLYING SAIL FURLERS

A wide range of terminals is available* for our NEX & SPINEX ranges including:

- > MXEvo Halyard shackle
- > Halyard blocks
- > Trigger snap shackles
- > Hardsheave 3 :1
- > Simple or Lashing eye
- > Stainless steel and aluminum thimbles

*Some terminals are only available on defined systems.



Accessories

for furlers and flying sail furlers

MANUAL HEADSAIL FURLERS: SPLICED FURLING LINES – STANDARD LENGTH



For models	Line reference	Description
C260, C320, R250, R350	P250901	20 m reefing line ø. 6 + 1 articulated fairlead# Wichard 21120 + 3 single fairleads # Wichard 20120
C290, C350, C420, C430, R350, R420, R430	P250902	25 m reefing line ø. 8 + 1 articulated fairlead# Wichard 21120 + 4 single fairleads # Wichard 20120
C350, C420, C430, C480, R350, R420, R430, R480	P250903	25 m reefing line ø. 10 + 1 articulated fairlead# Wichard 21120 + 4 single fairleads # Wichard 20120
C430, C480, C520, C530, R420, R430	P250904	30 m reefing line ø. 10 + 1 articulated fairlead# Wichard 21120 + 5 single fairleads # Wichard 20120

NEX AND SPINEX FLYING SAIL FURLERS: SPLICED FURLING LINES – STANDARD LENGTH



For models	Line Reference	Description
NEX 0.9, SPINEX 0.9	54122	Polyester braid: beige - dia 8 mm - standard length L: 12 m
	54123	Polyester braid: beige - dia 8 mm - standard length L: 14 m
NEX1.5, NEX 2.5, NEX 5.0, SPINEX 1.5, SPINEX 2.5, SPINEX 5.0	54125	Polyester braid: beige - dia 10 mm - standard length L: 16 m
	54127	Polyester braid: beige - dia 10 mm - standard length L: 20 m

Customized lengths for spliced furling lines are also available on request.



au |
ere | ICM

STAYFURLERS NEX STRUCTURAL

Performance > Reliability > Simplicity

Developed for offshore racing, the stayfurler is a structural furling system that improves the yacht's overall performance. In the latest years, this system has become an essential piece of equipment for a variety of boats, such as cruisers, racers, day boats, one-designs and others.

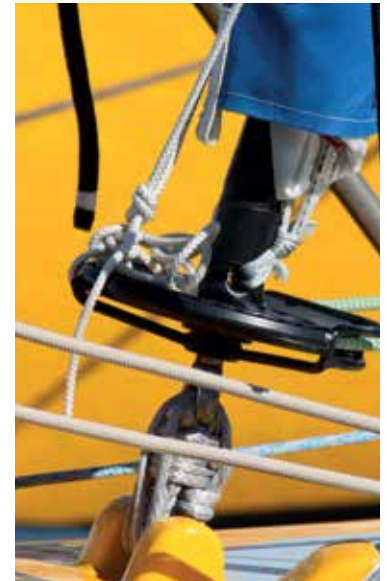


Stayfurlers:

NEX
STRUCTURAL

NEX STR STAYFURLER: SAIL ANOTHER WAY!

Are you hard to please, especially when you want to sail another way? If you're looking for a safe, powerful and easy to use solution, then Profurl's NEX STR stayfurler is for you!



NEX STR 5.0

Stayfurlers for everyone

> Initially reserved for the sailing elite (60' open, ORMA multihulls), stayfurlers are becoming increasingly common on a variety of sailing boats:

- Cruisers
- Racers
- Regatta boats & one-designs
- Day boats

> Compatible sail types: genoa, staysail and solent jib.



NEX STR overview:

- > 5 standard models available: NEX STR 4.0, 5.0, 8.0, 10.0 and 12.0
- > Upper size models available on request: NEX STR 16.0, 20.0, 30.0 and 40.0
- > Optimal size and weight for a great performance
- > Various end fittings available for every kind of deck layout
- > The greased-immersed systems are watertight and require no maintenance.
- > 3 year Profurl worldwide warranty



Why using a NEX STR stayfurler?

↘ IMPROVE THE PERFORMANCE OF YOUR SAILING BOAT

- > Replacing aluminium extrusions with Kevlar or PBO fiber cables significantly reduces weight (see below).
- > Optimizing the size and weight of the mechanisms maximizes luff and reduces weight considerably.

↘ SAFE, EASY TO USE AND COMFORTABLE

- > The SMART LOCK system enables locking the cable and prevents accidental dismantling without hindering the pin rotation. Entirely integrated into the stayfurler mechanism, the system also prevents adjacent lines from jamming. Available in fork versions.
- > The SAFE SYSTEM on NEX STR stayfurlers allows you to immobilize the furling line when unfurling, thus avoiding accidents and injuries
- > All furling and unfurling are done from the cockpit.
- > The overall weight reduction improves both safety and comfort when sailing.

Example: installing a NEX STR 4.0 stayfurler on the RM 1060 Performance built by Fora Marine.

Total overall weight (in Kg)

0 to 10 Kg

STAYFURLER NEX STR 4.0
WITH FIBER CABLE
TOTAL WEIGHT: 7,5 KG

10 to 25 Kg

MANUAL FURLER
WITH ROD STAY:
TOTAL WEIGHT: 22,10 KG

25 to 40 Kg

MANUAL FURLER WITH 1X19
STAINLESS STEEL WIRE
TOTAL WEIGHT: 26,90 KG

Weight reduction
between 66 and 74%
WEIGHT REDUCTION
=
**INCREASED SAFETY
AND PERFORMANCE**

Stayfurlers:

NEX
STRUCTURAL



Performance

S-GRIP: Better line grip

The special groove design, allowing for deformation of the line, ensures:

- better line grip, even when wet!
- easier furling
- minimum line wear



OPTIMAL FURLING: Furl without effort

The optimal spool diameter provides ideal torque, which:

- makes furling easier
- reduces effort



XTRA-LIGHT SYSTEMS: Lightness first

The size and weight of each component (spool, swivel, and terminals) have been optimised to:

- improve sailing performance
- ensure easier handling of the systems



Safety

SAFE SYSTEM: Removable Line

The SAFE SYSTEM enables you to stop the running of the furling line during deployment of sail and thus:

- prevent accidents or damage caused by a free running line.
- manoeuvre more quickly and easily
- prevent excessive wear of the line



SMART LOCK:

Wire lock (only on fork models)

- Wire locking system completely integrated into the drum mechanism
- No need to use a lanyard.
- No risk of jamming caused by adjacent lines.
- Keeps the pin free to turn (no strain).
- Locking indicator on the pin.





NEX STR MODELS AVAILABLE AS STANDARD

	NEX STR 4.0	NEX STR 5.0	NEX STR 8.0	NEX STR 10.0	NEX STR 12.0
Max working load	4T	5T	8T	10T	12T
Examples	RM 1060	Class 40	RM 1350	50'	Open 60'
Fiber cable terminals	Biconic end fittings (Navtec)	Biconic end fittings or thimbles			
Lower mechanism	Spool		Spool or drum		
Swivel terminals	Eye or lashing eye				
Lower mechanism terminals	Eye, lashing eye or purchase 4:1				

Find out page 72 how to select the right model adapted to your boat



NEX STR 5.0 stayfurler



NEX STR 20 stayfurler on 80' catamaran - Magic Cat - Fitting Atelier Gréement



Stayfurler NEX STR 12.0 - Multihull IDEC 80 feet

NEX STR CUSTOM RANGE AVAILABLE ON DEMAND

	NEX STR 16.0	NEX STR 20.0	NEX STR 30.0	NEX STR 40.0
Max working load	16T	20T	30T	40T
Examples	MOD 70	80'	IDEC multihull	Groupama 3' multihull

40T Stayfurler for staysail



Stayfurlers:

NEX
STRUCTURAL

Fiber cables

Stayfurlers are installed on anti-twist fiber cables, which replace traditional stainless steel wires, to reduce weight and stretching.

There are various types of fiber cables:

- > **Kevlar cables (aramid)** are a good value for money and readily available.
- > **PBO cables (zylon)** are mostly used on racing boats; they are lighter and stronger than Kevlar ones but have a shorter lifespan.

Fiber cables can be installed either on biconic terminals (Navtec solution) or thimbles (Future Fibres, Smart Rigging, Mafioli, etc.)



Profurl can advise you for the choice and the supplying of the cable.



Frequently asked questions : stayfurlers

Manual furler, flying sail furler and stayfurler: what's the difference? These three systems are very different.

> Maintain the stay

Among these three products, only the stayfurler contributes to maintain the mast through the use of a fiber cable. The full system replaces the extrusions used with other furling systems and thus significantly reduces weight.

> Partial or total furling of the sail?

With all three systems you can sail with the sail fully rolled out, but only the manual furler allows you to set the sail partially furled.

> Removable or not?

Because the stayfurler replaces the stay, it is permanent, unlike a flying sail furler which may be removed after every use.

> Combining systems?

Our stayfurlers and flying-sail furlers are complementary and can be used together.

In conjunction with a stayfurler, a flying-sail furler allows the selection of the most adapted sail depending on sailing conditions to optimize the boat performance.

See comparison table on page 8



NEX HYBRID
FLYING SAIL FURLERS
SWIVEL HOOKS
STAYFURLERS

Exclusively with Proful, discover the HYBRID NEX flying sail furlers with ceramic ball bearings that reduce friction and weight of the mechanisms.



NEX HYBRID



Advantages for the crew

- > Improve the performance of your yacht
- > Easy handling
- > Makes furling easy
- > Ideal for solo or short-handed sailing

Sail types

- > Sails fitted to a furler
- > Ideal for hooked-on sails

Examples of boats using NEX Hybrid

- > 60 feet IMOCA: BPVIII, PRB, St Michel Virbac
- > Maxi trimaran IDEC SPORT
- > Solo maxi trimaran Banque Populaire VII
- > Maxi trimaran Spindrift 2
- > Mega Yachts

and some records:

- > Vendée Globe 2016 - 2017: 1st place - 4th place
- > Jules Verne Trophy: record on IDEC Sport
- > Victory in Transat Jacques Vabre 2015: PRB
- > Victory in La Route du Rhum 2014: Banque Populaire VII
- > Mediterranean crossing record in 2013: Banque Populaire VII
- > Victory in La Route du Rhum 2010: Groupama 3

PROFURL is proud to present the Nex Hybrid range of furlers for boats up to 100' long, sailed solo or short-handed. Nex Hybrid features Ceramic Bearing Technology (CBT) which reduces friction and weight considerably.

Using these extremely corrosion-resistant bearings enables Profurl to banish metal fastenings in favour of soft textile ones.

NEX Hybrid swivel



60 feet IMOCA PRB



FLYING SAIL FURLER: NEX 6.X

	Spool	Swivel	Swivel hook
SWL	6 tons		
BL	12 tons		
Weight	1570 g	800 g	980 g
Height	121 mm	104.50 mm	hooked position 194 mm
Width fork	22 mm		
Terminals	As standard: loop - others: solidsheave eye, 4:1 diablo		N.A

Swivel hook:
NEX6.X -LOCK

Swivel hook:
NEX9.X -LOCK



FLYING SAIL FURLER: NEX 9.X

	Spool	Drum	Swivel	Swivel hook
SWL	9 tonnes			
BL	18 tonnes			
Weight	1990 g	2250 g	850 g	1550
Height	124 mm	124 mm	107 mm	Hooked position: 214 mm
Width fork	22 mm			
Terminals	As standard: loop - others: solidsheave eye, 4:1 diablo			N.A

NEX 6.X
Top Down Version



NEX 9.X
Spool version

NEX 9.X
Drum version



STAYFURLER: NEXSTR 9.X

	Spool	Drum	Swivel
SWL	9 tonnes		
BL	18 tonnes		
Weight	1880 g	2300 g	850 g
Height	124 mm	124 mm	107 mm
Width fork	22 mm		
Terminals	As standard: loop - others: solidsheave eye, 4:1 diablo		

**For larger sizes:
12.0, 20.0, 25.0,
30.0, please
contact us.**

Why choosing Ceramic Bearing Technology?

CBT allows Profurl to add ceramic ball bearings to their furling systems.

CBT has the following benefits:

- > up to 30% less friction
- > fewer components because metal fastenings are replaced by textile fastenings
- > assemblies up to 30% lighter (no grease, seals, etc.)
- > optimizes the size of the assemblies
- > systems are highly resistant to corrosion, maintenance free, and easy to use and fit

Benefits

- > Weight: -30%
- > Dimensions: -30%
- > Friction: -30%

Textile fastening anchored to the inner mechanism of the assembly.

NEX Hybrid Swivel



Why using ceramic bearings?

Ceramic bearings were first used in aerospace industry.

- > Ceramic balls are held in casings. The silicon nitride balls are low density but extremely hard. They will not lose their shape even under the heaviest loads, resulting in less friction and a greater lifespan.
- > These bearings also show remarkable resistance to corrosion. Thanks to these revolutionary components Profurl can design "open" systems which contain no grease or seals. The textile fastening is now anchored to the inner mechanism of the assembly.



NEX Hybrid spool - 20.0T
installed on the maxi multihull IDEC Sport



MOTORISED FURLERS

Comfort > Power > Reliability

Hundreds of PROFURL electric and hydraulic genoa reefing systems have been supplied over the last 15 years. These systems are highly performant and have a great reliability; they also offer customers comfort and security. PROFURL offers motorised headsail furlers for boats from 14 to 18,5 m: NDEC 480 model (electric version), NDHC 480 model (hydraulic version).
photo: Sunreef Roleeno



↘ Efficient systems

- > Thanks to the integration of high-performance materials, the special grade cast aluminium housing is protected against corrosion.
- > All the stainless steel parts are insulated from the aluminium housing.
- > The gear ratios have been configured to produce a high output and the ideal speed of rotation. The luff extrusions are engineered to withstand the high torque produced by the gear motor.



↘ Comfort and ease of use

- > The motorised systems enable you to sail comfortably and safely.
- > The sail can be furled in either direction (depending on the side of the sail that the anti UV strip has been attached).
- > The self-locking mechanism is non-reversible (no manual locking is required to immobilise the extrusions).
- > The noise of the operation is minimal giving little inconvenience.
- > The PROFURL systems do not require any maintenance.



↘ Low power consumption

- > Power consumption is a crucial feature on a motorised system; the PROFURL systems require a low power supply making special batteries unnecessary.
- > Furling and unfurling operations do not exceed the power consumption of navigation lights during 20 minutes of illumination.



↘ An easy installation

- > The PROFURL motorised systems can be fitted on the existing forestay, with or without a rigging screw.
- > The special bottom fitting allows customised installation : raised from the deck for easier anchoring, low to the deck for maximum luff length.
- > Converting a manual headsail furler is also possible, by removing the bottom drum mechanism and replacing it with a motorised gear motor.



↘ Safety

- > In case of power supply failure, the PROFURL motorised system includes a handle socket (handle supplied) located at the rear of the housing, allowing for instant manual operation.



53320



53310

More comfort on board

- > Wired remote controller Part # 53320
- > Radio remote controller Part # 53310



NDE: ELECTRIC MODELS

- > 9 models available for boats from 13 to 26 m.
- > Available in "Cruising" version (with round extrusions) and "Racing" version (with an aerodynamic oval extrusions).
- > Delivery of the gear motor already pre-wired.
- > Available in 12 or 24 V DC.
- > Length of the extrusion : 2 m.

Cruising Electric Models (with round profiles)

	NDEC 420	NDEC 430*	NDEC 480	NDEC 520	NDEC 530**	NDEC 600
Boat length	from 13 to 15 m	from 14 to 16 m	from 14,5 to 18,5 m	from 16,5 to 18,5 m	from 18,5 to 22 m	above 22 m
Forestay dia	10 mm	12,7 mm	14,3 mm	16 mm	19 mm	22 mm
Power of electric motor	700 W (12V) - 800 W (24V)	700 W (12V) - 800 W (24V)	700 W (12V) - 800 W (24V)	700 W (12V) - 800 W (24V)	700 W (12V) - 800 W (24V)	700 W (12V) - 800 W (24V)
Power supply / amperage	12 V / 60 A	12 V / 60 A	12 V / 60 A	12 V / 60 A	12 V / 60 A	12 V / 60 A
Power supply / amperage	24 V / 30 A	24 V / 30 A	24 V / 30 A	24 V / 30 A	24 V / 30 A	24 V / 30 A

* NDEC 420 extrusion with C430 swivel. / ** NDEC 520 extrusion with C530 swivel.

Racing Electric Models (with black and oval profile)

	NDER 420	NDER 430	NDER 480
Boat length	from 13 to 15 m	from 14 to 16 m	from 14,5 to 18,5 m
Forestay diameter	10 mm	11,1 mm	12,7 mm
Power of electric motor	700 W (12V) - 800 W(24V)	700 W (12V) - 800 W (24V)	700 W (12V) - 800 W(24V)
Power supply / amperage	12 V / 60 A	12 V / 60 A	12 V / 60 A
Power supply / amperage	24 V / 30 A	24 V / 30 A	24 V / 30 A

Benefits of the motorised systems

- > Large range of systems.
- > Great comfort with minimum effort.
- > Easy installation on the existing forestay.
- > Minimal sound.
- > Low power consumption.
- > 3 year world wide limited warranty.



Alubat 58

Motorised furlers

NDH: HYDRAULIC MODELS

- > 9 models available for boats from 13 to 26 m.
- > Available in "Cruising" version (with round extrusions) and "Racing" version (with an aerodynamic oval extrusions).
- > Connection of the gear motor to the hydraulic pack with 2 feeding hoses finished by a female 7/16" JIC.
- > Available in 100 or 140 maximum operating pressure.
- > Length of the extrusion: 2 m.

Cruising Hydraulic Models (with round profiles)

	NDHC 420	NDHC 430*	NDHC 480	NDHC 520	NDHC 530**	NDHC 600
Boat length	from 13 to 15 m	from 14 to 16 m	from 14,5 to 18,5m	from 16,5 to 18,5m	from 18,5 to 22 m	above 22 m
Forestay diameter	10 mm	12,7 mm	14,3 mm	16 mm	19 mm	22 mm
Maximum operating pressure	100 bars	100 bars	140 bars	140 bars	140 bars	140 bars
Maximum speed of rotation	30 Rpm	30 Rpm	30 Rpm	30 Rpm	30 Rpm	30 Rpm
Maximum flow	15 L / mn	15 L / mn	15 L / mn	15 L / mn	15 L / mn	15 L / mn

Racing Hydraulic Models (with oval profiles)

	NDHR 420	NDHR 430*	NDHR 480
Boat length	from 13 to 15 m	from 14 to 16 m	from 14,5 to 18,5 m
Forestay diameter	10 mm	11,1 mm	12,7 mm
Maximum operating pressure	100 bars	100 bars	140 bars
Maximum speed of rotation	30 Rpm	30 Rpm	30 Rpm
Maximum flow	15 L / mn	15 L / mn	15 L / mn

* NDHC 420 extrusion with C430 swivel.
 ** NDHC 520 extrusion with C530 swivel.

Frequently asked questions: motorised systems

Can we transform a manual headsail furler in a motorised furler?

Yes PROFURL offers a motorisation kit enabling a retrofit to an existing manual furler. This kit incorporates a motor gear and fittings

Do I benefit from a warranty on my motorised system?

Yes, all the PROFURL products benefit an international warranty. The motorised systems have a 3 year worldwide warranty.

Does my motorised system require maintenance?

No as all the PROFURL systems, the motorised systems do not require any maintenance.

Is my motorised system noisy?

No, the PROFURL systems generate little noise.

Does my PROFURL motorised system consume power?

The power consumption of a PROFURL motorised system is low (equal to the consumption of a light bulb during 20 minutes of illumination).

See comparison table on page 7



MK4: IN-BOOM FURLER

Comfort > Safety > Performance

Developed on the request of discerning sailors world-wide, PROFURL in-boom furlers are dedicated to furling, raising and lowering mainsails. It increases safety when hoisting or reefing the mainsail and ensures higher performances of the yachts systems.

MK4 : In-boom furler

For boats from 15 to 18 m, Profurl offers its MK4 in-boom furler.

Safe and easy operations

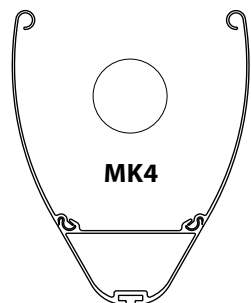
Hoisting or reefing the mainsail is a simple and safe operation. The in-boom furler requires the use of only one halyard and one furling line, and allows full control of the mainsail from the cockpit.

An efficient system

The on-water performance of the PROFURL in-boom furler is the main goal. This system is designed to be used with full length battens. It allows for a fully battened mainsail with a normal roach, to maximize the yacht performance.

The system's parts have been optimized to get the best possible weight / performance / durability ratios.

	On demand
	MK4
Boat length (LOA)	from 15 to 18 m
Max. displacement	24000 Kg
Max. luff length	21,0 m
Max. foot length	7,0 m
Colour	Epoxy powder coated anodisation



Advantages of the PROFURL in-boom furlers

- > Increased safety during mainsail raising and lowering operations.
- > Ease of use: one halyard and one furling line.
- > Can be fitted on most boats with aluminium masts.
- > Full battened mainsail to improve the performance of the boat.
- > No maintenance required.
- > 3 year world wide limited warranty.



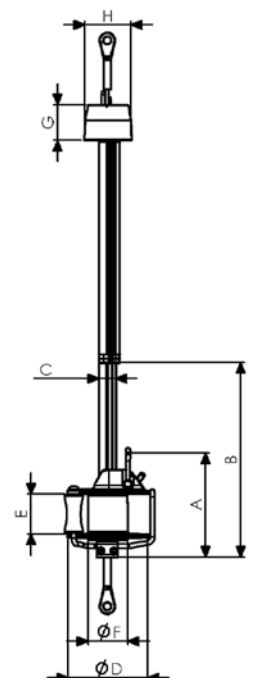
TECHNICAL DOCUMENTS

WEIGHT OF THE DIFFERENT COMPONENTS IN KG

Models	Drum mechanism	Turnbuckle cylinder	Complete Swivel	Comple luff extrusion Kg / m	Head fitting + wrapstop
C290	2,09	included	0,54	0,557	0,16
C320	2,08	0,76	0,58	0,661	0,18
C350	3,12	0,82	0,84	0,728	0,32
C420	3,43	0,87	1,07	0,933	0,38
C430	3,51	0,87	1,73	0,933	0,38
C480	6,06	1,79	2,08	1,2	0,56
C520	6,06	2,22	2,08	1,46	0,57
C530	6,06	2,22	2,37	2,8	0,57
R250	1,6	0,45	0,51	0,383	0,06
R350	2,16	0,63	0,85	0,638	0,18
R420	3,75	0,94	0,98	0,835	0,36
R430	3,75	0,94	1,68	0,835	0,36
R480	6,09	1,79	2,08	1,2	0,44

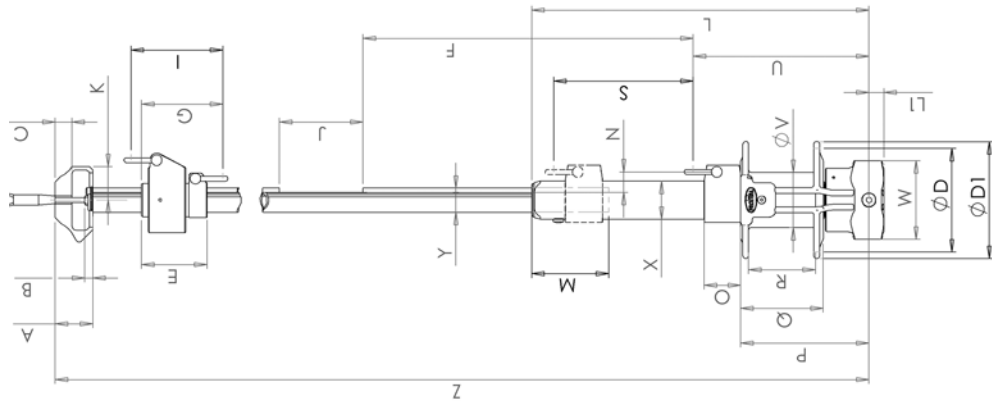
DIMENSIONS OF C260 MODEL

	mm	ins
A	150	5 29/32"
B	575	1'10 5/8"
C	26	1 1/32"
D	115	4 17/32"
E	56	2 13/64"
F	56	2 13/64"
G	67	2 41/64"
H	50	1 63/64"

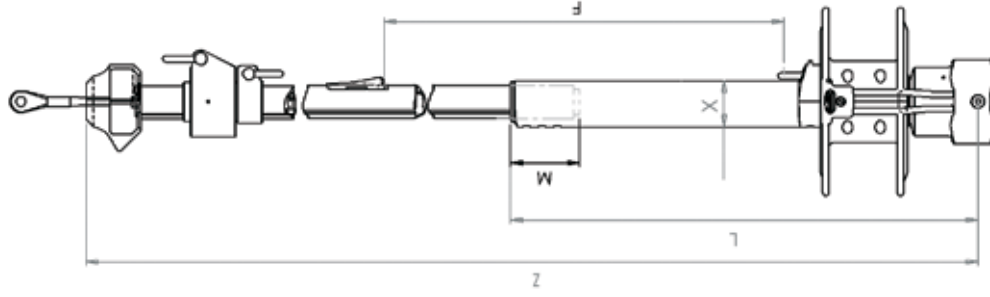


**C290 MODEL &
BELOW DECK FITTING**

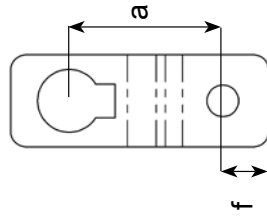
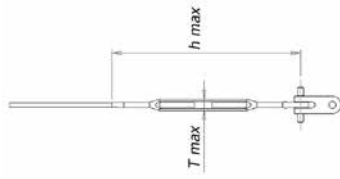
DIMENSIONS FOR MODELS FROM C320 TO C430 - R250 TO R430



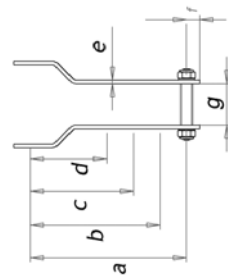
Standard fitting



with turnbuckle
cylinder



Short link plates



Long link plates

DIMENSIONS OF C290, C320, C350, C420, C430 MODELS

	C290				C320				C350				C420				C430			
	Standard		Turnbuckle cylinder		Standard		Turnbuckle cylinder		Standard		Turnbuckle cylinder		Standard		Turnbuckle cylinder		Standard		Turnbuckle cylinder	
	mm	ins	mm	ins	mm	ins	mm	ins	mm	ins	mm	ins	mm	ins	mm	ins	mm	ins	mm	ins
A	44	1 7/8"	44	1 7/8"	68	2 3/4"	68	2 3/4"	68	2 3/4"	68	2 3/4"	68	2 3/4"	68	2 3/4"	68	2 3/4"	68	2 3/4"
B	10	3/8"	10	3/8"	10	3/8"	10	3/8"	10	3/8"	10	3/8"	10	3/8"	10	3/8"	10	3/8"	10	3/8"
C	22	5/8"	22	5/8"	28	1 1/4"	28	1 1/4"	28	1 1/4"	28	1 1/4"	28	1 1/4"	28	1 1/4"	28	1 1/4"	28	1 1/4"
D	120	4 3/4"	180	7 1/2"	200	7 7/8"	200	7 7/8"	200	7 7/8"	200	7 7/8"	200	7 7/8"	200	7 7/8"	200	7 7/8"	200	7 7/8"
ØD1	140	5 3/4"	200	7 7/8"	222	8 3/4"	222	8 3/4"	222	8 3/4"	222	8 3/4"	222	8 3/4"	222	8 3/4"	222	8 3/4"	222	8 3/4"
E	79	3 1/8"	79	3 1/8"	103	4 1/16"	103	4 1/16"	103	4 1/16"	103	4 1/16"	103	4 1/16"	103	4 1/16"	103	4 1/16"	103	4 1/16"
F	293	11 1/2"	461	16 1/4"	442	15 1/2"	442	15 1/2"	442	15 1/2"	442	15 1/2"	442	15 1/2"	442	15 1/2"	442	15 1/2"	442	15 1/2"
G	96	3 3/4"	96	3 3/4"	125	4 7/8"	125	4 7/8"	125	4 7/8"	125	4 7/8"	125	4 7/8"	125	4 7/8"	125	4 7/8"	125	4 7/8"
Hmax	320	1 5/8"	110	4 21/64"	424	1 4 3/4"	137	5 25/64"	457	1 5 63/64"	154	6 1/16"	154	6 1/16"	154	6 1/16"	154	6 1/16"	154	6 1/16"
I	109	4 1/2"	109	4 1/2"	142	5 19/32"	142	5 19/32"	142	5 19/32"	142	5 19/32"	142	5 19/32"	142	5 19/32"	142	5 19/32"	142	5 19/32"
J	100	3 7/8"	72	2 53/64"	72	2 53/64"	72	2 53/64"	72	2 53/64"	72	2 53/64"	72	2 53/64"	72	2 53/64"	72	2 53/64"	72	2 53/64"
K	33	1 1/4"	33	1 1/4"	47	1 27/32"	47	1 27/32"	47	1 27/32"	47	1 27/32"	47	1 27/32"	47	1 27/32"	47	1 27/32"	47	1 27/32"
L	404	1 3 7/8"	181	7 1/4"	220	8 3/4"	220	8 3/4"	220	8 3/4"	220	8 3/4"	220	8 3/4"	220	8 3/4"	220	8 3/4"	220	8 3/4"
L1	18	45/64"	18	45/64"	20	25/32"	20	25/32"	20	25/32"	20	25/32"	20	25/32"	20	25/32"	20	25/32"	20	25/32"
M	78	35/64"	64	2 33/64"	75	2 15/16"	75	2 15/16"	75	2 15/16"	75	2 15/16"	75	2 15/16"	75	2 15/16"	75	2 15/16"	75	2 15/16"
N	25	63/64"	17	43/64"	21	53/64"	21	53/64"	21	53/64"	21	53/64"	21	53/64"	21	53/64"	21	53/64"	21	53/64"
O	45	1 49/64"																		
P	150	5 29/32"	157	6 3/16"	184	7 1/4"	184	7 1/4"	184	7 1/4"	184	7 1/4"	184	7 1/4"	184	7 1/4"	184	7 1/4"	184	7 1/4"
Q	98	3 55/64"	88	3 15/32"	108	4 1/4"	108	4 1/4"	108	4 1/4"	108	4 1/4"	108	4 1/4"	108	4 1/4"	108	4 1/4"	108	4 1/4"
R	80	3 5/32"	66	2 19/32"	66	2 19/32"	66	2 19/32"	66	2 19/32"	66	2 19/32"	66	2 19/32"	66	2 19/32"	66	2 19/32"	66	2 19/32"
S	170	6 11/64"																		
Tmax	29	1 9/64"	32	1 17/64"	42	1 21/32"	42	1 21/32"	42	1 21/32"	42	1 21/32"	42	1 21/32"	42	1 21/32"	42	1 21/32"	42	1 21/32"
U	213	8 25/64"	199	7 53/64"	245	9 41/64"	245	9 41/64"	245	9 41/64"	245	9 41/64"	245	9 41/64"	245	9 41/64"	245	9 41/64"	245	9 41/64"
V	66	2 19/32"	92	3 5/8"	105	4 9/64"	105	4 9/64"	105	4 9/64"	105	4 9/64"	105	4 9/64"	105	4 9/64"	105	4 9/64"	105	4 9/64"
W	97	3 13/16"	97	3 13/16"	115	4 17/32"	115	4 17/32"	115	4 17/32"	115	4 17/32"	115	4 17/32"	115	4 17/32"	115	4 17/32"	115	4 17/32"
X	46	1 13/16"			52	2 3/64"	52	2 3/64"	52	2 3/64"	52	2 3/64"	52	2 3/64"	52	2 3/64"	52	2 3/64"	52	2 3/64"
Y	29	1 9/64"	32	1 17/64"	35	13/8"	35	13/8"	35	13/8"	35	13/8"	35	13/8"	35	13/8"	35	13/8"	35	13/8"
Z	10370	34 1/4"	12160	39 10 3/4"	12475	39 10 3/4"	14215	46 7 3/4"	14535	47 8 1/4"	16230	53 2"	16230	53 2"	16230	53 2"	16230	53 2"	16230	53 2"
Short link plates																				
a	50 (1 31/32")		50 (1 31/32")		55 (2 5/32")		55 (2 5/32")		55 (2 5/32")		55 (2 5/32")		55 (2 5/32")		55 (2 5/32")		55 (2 5/32")		55 (2 5/32")	
f	15 (19/32")		15 (19/32")		20 (25/32")		20 (25/32")		20 (25/32")		20 (25/32")		20 (25/32")		20 (25/32")		20 (25/32")		20 (25/32")	
Link plates																				
a	180	7 3/32"	340	1 1 1/12"	180	7 3/32"	500	1 7 11/16"	200	7 7/8"	500	1 7 3/4"	500	1 7 3/4"	200	7 7/8"	500	1 7 3/4"	250	9 27/32"
b	145	5 45/64"	305	1 1/64"	145	5 7/8"	465	1 6 5/16"	165	6 3/4"	465	1 6 5/16"	465	1 6 5/16"	165	6 3/4"	465	1 6 5/16"	215	8 21/32"
c	110	4 21/64"	270	10 5/8"	110	4 21/64"	430	1 4 7/8"	130	5 1/2"	430	1 4 7/8"	430	1 4 7/8"	130	5 1/2"	430	1 4 7/8"	180	7 31/64"
d	75	2 61/64"	235	9 1/4"	75	2 61/64"	395	1 3 9/16"	95	4 5/16"	395	1 3 9/16"	395	1 3 9/16"	95	4 5/16"	395	1 3 9/16"	145	6 19/64"
e	4	5/32"	4	5/32"	4	5/32"	4	5/32"	4	5/32"	4	5/32"	4	5/32"	4	5/32"	4	5/32"	4	5/32"
f	16	19/32"	16	19/32"	16	19/32"	16	43/64"	16	19/32"	16	43/64"	16	19/32"	16	19/32"	16	43/64"	16	19/32"
g	41	1 39/64"	41	1 39/64"	41	1 39/64"	41	1 39/64"	41	1 39/64"	41	1 39/64"	41	1 39/64"	41	1 39/64"	41	1 39/64"	61	2 9/16"

DIMENSIONS OF R250, R350, R420, R430 MODELS

	R250				R350				R420				R430			
	Standard		Turnbuckle cylinder		Standard		Turnbuckle cylinder		Standard		Turnbuckle cylinder		Standard		Turnbuckle cylinder	
	mm	ins	mm	ins	mm	ins	mm	ins	mm	ins	mm	ins	mm	ins	mm	ins
A	32	1 7/64"	See Standard	See Standard	44	1 47/64"	See Standard	See Standard	68	2 43/64"	See Standard	See Standard	68	2 43/64"	See Standard	See Standard
B	10	13/32"	See Standard	See Standard	10	13/32"	See Standard	See Standard	10	13/32"	See Standard	See Standard	10	13/32"	See Standard	See Standard
C	16	5/8"	See Standard	See Standard	22	55/64"	See Standard	See Standard	28	17/64"	See Standard	See Standard	28	17/64"	See Standard	See Standard
D	130	5 1/8"	See Standard	See Standard	180	7 3/32"	See Standard	See Standard	220	8 21/32"	See Standard	See Standard	220	8 21/32"	See Standard	See Standard
ØD1	150	5 29/32"	See Standard	See Standard	200	7 7/8"	See Standard	See Standard	242	9 17/32"	See Standard	See Standard	242	9 17/32"	See Standard	See Standard
E	79	3 1/8"	See Standard	See Standard	103	4 1/16"	See Standard	See Standard	103	4 1/16"	See Standard	See Standard	140	5 33/64"	See Standard	See Standard
F	460	1' 6 7/64"	731	2' 4 3/4"	461	1' 6 1/4"	775	2' 6 1/2"	442	1' 5 1/2"	808	2' 7 3/4"	442	1' 5 1/2"	808	2' 7 3/4"
G	96	3 25/32"	See Standard	See Standard	125	4 7/8"	See Standard	See Standard	126	4 61/64"	See Standard	See Standard	170	6 11/16"	See Standard	See Standard
H max	88	3 15/32"	359	1' 2 1/4"	110	4 21/64"	424	1' 4 3/4"	154	6 1/16"	520	1' 8 1/2"	154	6 1/16"	520	1' 8 1/2"
I	109	4 19/64"	See Standard	See Standard	142	5 19/32"	See Standard	See Standard	144	5 43/64"	See Standard	See Standard	196	7 3/4"	See Standard	See Standard
J	72	2 53/64"	See Standard	See Standard	72	2 53/64"	See Standard	See Standard	72	2 53/64"	See Standard	See Standard	72	2 53/64"	See Standard	See Standard
K	25	63/64"	See Standard	See Standard	33	1 1/4"	See Standard	See Standard	47	1 27/32"	See Standard	See Standard	47	1 27/32"	See Standard	See Standard
L	163	6 27/64"	434	1' 5 3/32"	181	7 1/4"	495	1' 7 1/2"	236	9 19/64"	601	1' 11 1/2"	236	9 19/64"	601	1' 11 1/2"
L1	18	45/64"	See Standard	See Standard	18	45/64"	See Standard	See Standard	20	25/32"	See Standard	See Standard	20	25/32"	See Standard	See Standard
M	68	2 43/64"	See Standard	See Standard	64	2 33/64"	See Standard	See Standard	75	2 15/16"	See Standard	See Standard	75	2 15/16"	See Standard	See Standard
N	15	19/32"	See Standard	See Standard	15	19/32"	See Standard	See Standard	17	43/64"	See Standard	See Standard	17	43/64"	See Standard	See Standard
O																
P	133	5 15/44"	See Standard	See Standard	157	6 3/16"	See Standard	See Standard	203	7	See Standard	See Standard	203	7 63/64"	See Standard	See Standard
Q	74	2 29/32"	See Standard	See Standard	88	3 15/32"	See Standard	See Standard	115	4 17/32"	See Standard	See Standard	115	4 17/32"	See Standard	See Standard
R	60	2 23/64"	See Standard	See Standard	66	2 19/32"	See Standard	See Standard	90	3 9/16"	See Standard	See Standard	90	3 9/16"	See Standard	See Standard
S																
T max	26	1 1/32"	See Standard	See Standard	32	1 17/64"	See Standard	See Standard	42	1 21/32"	See Standard	See Standard	42	1 21/32"	See Standard	See Standard
U	165	6 1/2"	See Standard	See Standard	199	7 53/64"	See Standard	See Standard	262	10 1/2"	See Standard	See Standard	262	10 1/2"	See Standard	See Standard
V	76	2 63/64"	See Standard	See Standard	92	3 5/8"	See Standard	See Standard	105	4 9/64"	See Standard	See Standard	105	4 9/64"	See Standard	See Standard
W	97	3 13/16"	See Standard	See Standard	97	3 13/16"	See Standard	See Standard	115	4 17/32"	See Standard	See Standard	115	4 17/32"	See Standard	See Standard
X			40	1 37/64"			52	2 1/16"			60	2 23/64"			60	2 23/64"
Y	25	63/64"	See Standard	See Standard	35	13/8"	See Standard	See Standard	42	1 21/32"	See Standard	See Standard	42	1 21/32"	See Standard	See Standard
Z	8127	26' 7 63/64"	8398	27' 6 1/2"	12160	39' 10 3/4"	12475	40' 11 1/4"	14230	46' 8 1/4"	14595	47' 10 5/8"	16230	53' 2"	16595	54' 5"
Short link plates																
a	50	(1 32/32")	50	(1 32/32")	50	(1 32/32")	50	(1 32/32")	55	(2 5/32")	55	(2 5/32")	55	(2 5/32")	55	(2 5/32")
f	15	(19/32")	15	(19/32")	15	(19/32")	15	(19/32")	20	(25/32")	20	(25/32")	20	(25/32")	20	(25/32")
Link plates																
a	340	1' 1 25/64"	180	7 3/32"	340	1' 1 25/64"	180	7 3/32"	500	1' 7 3/4"	200	7 7/8"	500	1' 7 3/4"	250	9 27/32"
b	305	1' 1/64"	145	5 7/8"	305	1' 1/64"	145	5 7/8"	465	1' 6 5/16"	165	6 3/4"	465	1' 6 5/16"	215	8 1/4"
c	270	10 5/8"	110	4 23/32"	270	10 5/8"	110	4 23/32"	430	1' 4 7/8"	130	5 1/2"	430	1' 4 7/8"	180	6 3/4"
d	235	9 1/4"	75	3 9/16"	235	9 1/4"	75	3 9/16"	395	1' 3 9/16"	95	4 5/16"	395	1' 3 9/16"	145	5 1/8"
e	4	5/32"	4	5/32"	4	5/32"	4	5/32"	4	5/32"	4	5/32"	4	5/32"	4	5/32"
f	16	19/32"	16	19/32"	16	19/32"	16	19/32"	16	19/32"	16	43/64"	16	19/32"	16	43/64"
g	41	1 39/64"	41	1 39/64"	41	1 39/64"	41	1 39/64"	41	1 39/64"	41	1 39/64"	61	2 9/16"	61	2 9/16"

DIMENSIONS OF BELOW THE DECK MODELS (SEE PAGE 44)

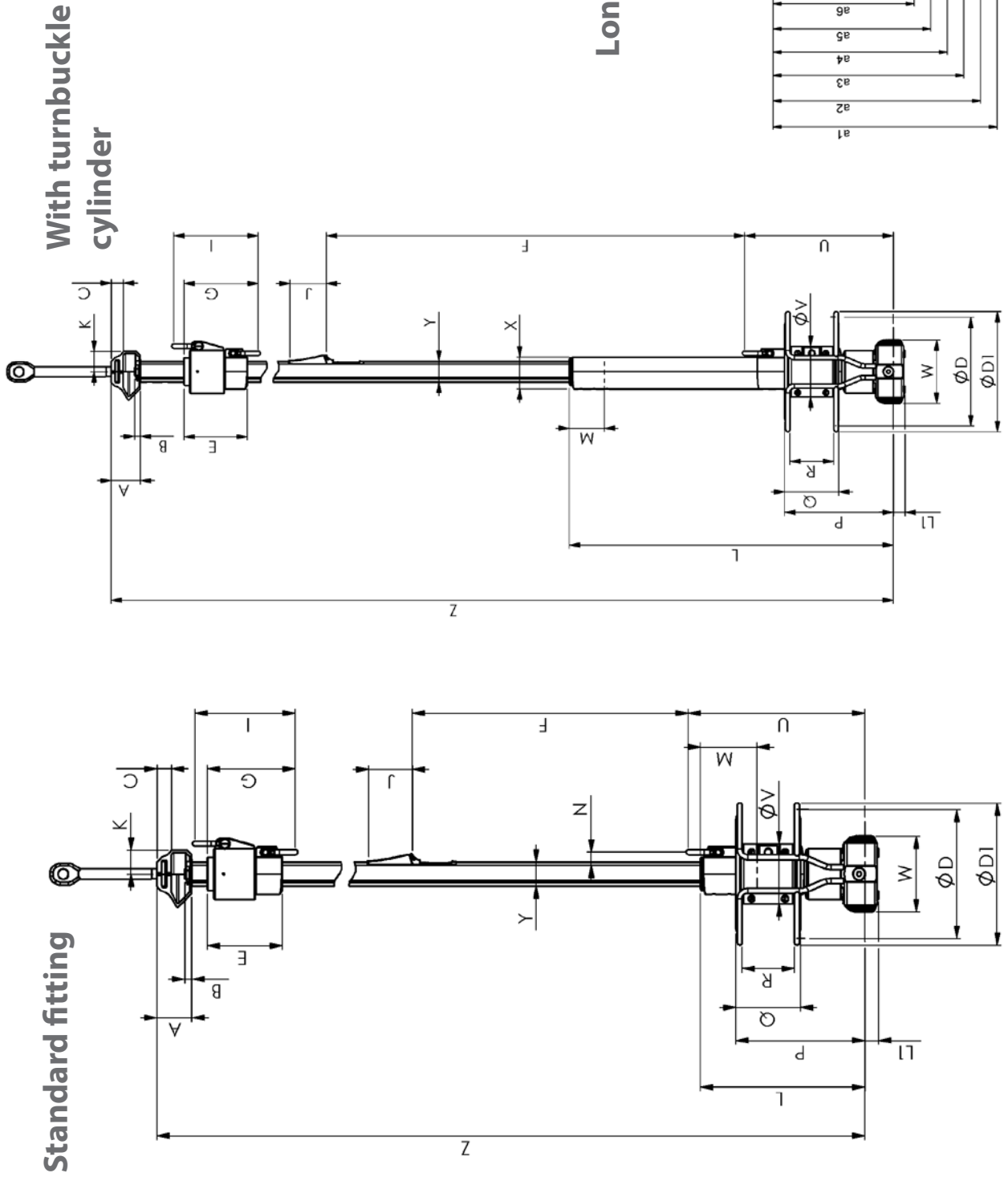
C290, C320SP, C350SP, C420SP, C430SP, R250SP, R350SP, R420SP, R430SP

	C290	C320SP	C350SP	C420SP	C430SP	R250SP	R350SP	R420SP	R430SP
Dimensions	mm	mm	mm	mm	mm	mm	mm	mm	mm
A	44	44	68	68	68	32	44	68	68
B	10	10	10	10	10	10	10	10	10
C	22	22	28	28	28	16	22	28	28
D	120	170	200	220	220	120	170	220	220
ØD1	140	192	222	242	242	140	192	242	242
E	79	79	103	103	140	79	103	103	140
F	293	760	820	820	820	670	760	820	820
G	96	96	125	126	170	96	125	126	170
Hmax	320	460	520	520	520	320	460	520	520
I	109	109	142	144	196	109	142	144	196
J	100	72	72	72	72	72	72	72	72
K	33	33	47	47	47	25	33	47	47
L	404	533	604	604	604	404	533	604	604
L1	18	20	20	20	20	18	20	20	20
M	78	64	75	75	75	73	64	75	75
N	25	29	27	24	24	26	27	23	23
O	45	50	50	50	50	45	50	50	50
P	150	190	190	190	190	150	190	190	190
Q	98	115	115	115	115	100	115	115	115
R	80	95	95	95	95	80	95	95	95
S	170	250	300	300	300	170	250	300	300
Tmax	29	42	43	43	43	29	42	43	43
U	213	265	265	265	265	210	265	265	265
ØV	66	115	115	115	115	66	115	115	115
W	97	115	115	115	115	97	115	115	115
X	46	56	56	56	56	46	56	56	56
Y	29	32	35	42	42	25	35	42	42
Z	10370	12513	14597	16597	18597	8363	12513	14597	16597
Link plates									
a	180	200	200	200	200	180	200	200	200
b	145	165	165	165	165	145	165	165	165
c	110	130	130	130	130	110	130	130	130
d	75	95	95	95	95	75	95	95	95
e	4	4	4	4	4	4	4	4	4
f	16	16	16	16	16	16	16	16	16
g	41	41	41	41	41	41	41	41	41

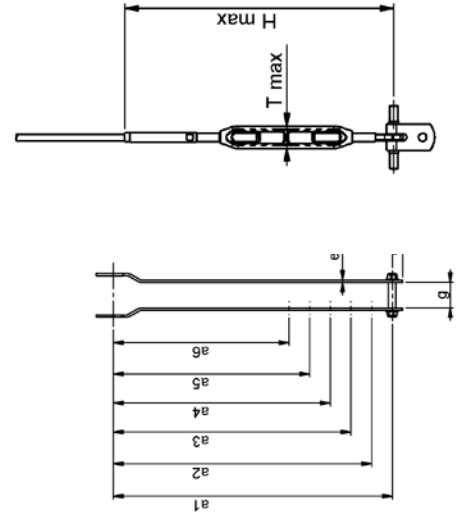
DIMENSIONS FOR C480, C520, C530 AND R480 MODELS

	C480						R480						C520						C530						
	Standard			Turnbuckle cylinder			Standard			Turnbuckle cylinder			Standard			Turnbuckle cylinder			Standard			Turnbuckle cylinder			
	mm	inch		mm	inch		mm	inch		mm	inch		mm	inch		mm	inch		mm	inch		mm	inch		
A	68	2.43/64"		See standard	See standard		See standard	2.43/64"	68	2.43/64"		See standard	See standard	68	2.43/64"		See standard	See standard	68	2.43/64"		See standard	See standard		inch
B	14	35/64"		See standard	See standard		See standard	35/64"	14	35/64"		See standard	See standard	14	35/64"		See standard	See standard	14	35/64"		See standard	See standard		inch
C	28	1.7/64"		See standard	See standard		See standard	1.7/64"	28	1.7/64"		See standard	See standard	28	1.7/64"		See standard	See standard	28	1.7/64"		See standard	See standard		inch
ØD	250	9.27/32"		See standard	See standard		See standard	9.27/32"	250	9.27/32"		See standard	See standard	250	9.27/32"		See standard	See standard	250	9.27/32"		See standard	See standard		inch
ØD1	276	10.155/64"		See standard	See standard		See standard	10.155/64"	276	10.155/64"		See standard	See standard	276	10.155/64"		See standard	See standard	276	10.155/64"		See standard	See standard		inch
E	146	5.3/4"		See standard	See standard		See standard	5.3/4"	146	5.3/4"		See standard	See standard	146	5.3/4"		See standard	See standard	146	5.3/4"		See standard	See standard		inch
F	535	1.9 1/8"		3 1/8"	962		See standard	1.9 1/8"	535	1.9 1/8"		3 1/8"	962	535	1.9 1/8"		3 1/8"	1062	535	1.9 1/8"		1062	3.5 13/16"		inch
G	170.5	6.11/16"		See standard	See standard		See standard	6.11/16"	170	6.11/16"		See standard	See standard	170	6.11/16"		See standard	See standard	192.5	6.11/16"		See standard	See standard		inch
H max	205	8.5/64"		2.0 5/16"	630		See standard	8.5/64"	205	8.5/64"		2.0 5/16"	630	205	8.5/64"		2.0 5/16"	730	223	8.5/64"		748	2.4 47/64"		inch
I	194	7.41/64"		See standard	See standard		See standard	7.41/64"	194	7.41/64"		See standard	See standard	194	7.41/64"		See standard	See standard	218	7.41/64"		See standard	See standard		inch
J	84	3.5/16"		See standard	See standard		See standard	3.5/16"	84	3.5/16"		See standard	See standard	84	3.5/16"		See standard	See standard	84	3.5/16"		See standard	See standard		inch
K	47	1.27/32"		See standard	See standard		See standard	1.27/32"	47	1.27/32"		See standard	See standard	47	1.27/32"		See standard	See standard	47	1.27/32"		See standard	See standard		inch
L	319	1.09/16"		2.5 21/64"	745		See standard	1.09/16"	319	1.09/16"		2.5 21/64"	745	319	1.09/16"		2.5 21/64"	845	337	1.09/16"		863	2.9 17/64"		inch
L1	27	1.1/8"		See standard	See standard		See standard	1.1/8"	27	1.1/8"		See standard	See standard	27	1.1/8"		See standard	See standard	27	1.1/8"		See standard	See standard		inch
M	100	3.15/16"		See standard	See standard		See standard	3.15/16"	100	3.15/16"		See standard	See standard	100	3.15/16"		See standard	See standard	100	3.15/16"		See standard	See standard		inch
N	23.5	29/32"		See standard	See standard		See standard	29/32"	23.5	29/32"		See standard	See standard	23.5	29/32"		See standard	See standard	21.5	27/32"		See standard	See standard		inch
P	250	9.27/32"		See standard	See standard		See standard	9.27/32"	250	9.27/32"		See standard	See standard	250	9.27/32"		See standard	See standard	250	9.27/32"		See standard	See standard		inch
Q	125	4.59/64"		See standard	See standard		See standard	4.59/64"	125	4.59/64"		See standard	See standard	125	4.59/64"		See standard	See standard	125	4.59/64"		See standard	See standard		inch
R	101	3.31/32"		See standard	See standard		See standard	3.31/32"	101	3.31/32"		See standard	See standard	101	3.31/32"		See standard	See standard	101	3.31/32"		See standard	See standard		inch
T max	52	2.3/64"		See standard	See standard		See standard	2.3/64"	52	2.3/64"		See standard	See standard	52	2.3/64"		See standard	See standard	52	2.3/64"		See standard	See standard		inch
U	342	1.115/32"		See standard	See standard		See standard	1.115/32"	342	1.115/32"		See standard	See standard	342	1.115/32"		See standard	See standard	360	1.115/32"		See standard	See standard		inch
ØV	116	4.9/16"		See standard	See standard		See standard	4.9/16"	116	4.9/16"		See standard	See standard	116	4.9/16"		See standard	See standard	116	4.9/16"		See standard	See standard		inch
W	146	5.3/4"		See standard	See standard		See standard	5.3/4"	146	5.3/4"		See standard	See standard	146	5.3/4"		See standard	See standard	146	5.3/4"		See standard	See standard		inch
X	-			73	2.7/8"		See standard		-			73	2.7/8"		See standard		73		-			73	2.7/8"		inch
Y	48	1.57/64"		See standard	See standard		See standard	1.57/64"	48	1.57/64"		See standard	See standard	52	2.3/64"		See standard	See standard	52	2.3/64"		See standard	See standard		inch
Z	18287	59.11 15/16"		61.4 11/16"	18712		See standard	59.11 15/16"	18287	59.11 15/16"		61.4 11/16"	18712	20287	66.6 11/16"		20812	68.3 3/8"	22305	73.2 5/32"		22830	74.10 13/16"		inch
Link plates		Medium		Long	Medium		Long	Medium		Medium		Long	Medium		Medium		Long	Medium		Medium		Long	Medium		inch
a1	325	1.0 51/64"		2.2 37/64"	675		2.2 37/64"	675	325	1.0 51/64"		2.2 37/64"	675	325	1.0 51/64"		2.2 37/64"	675	325	1.0 51/64"		675	2.2 37/64"		inch
a2	275	10.53/64"		2.0 39/64"	625		2.0 39/64"	625	275	10.53/64"		2.0 39/64"	625	275	10.53/64"		2.0 39/64"	625	275	10.53/64"		625	2.0 39/64"		inch
a3	225	8.55/64"		1.10 41/64"	575		1.10 41/64"	575	225	8.55/64"		1.10 41/64"	575	225	8.55/64"		1.10 41/64"	575	225	8.55/64"		575	1.10 41/64"		inch
a4	175	6.57/64"		1.8 43/64"	525		1.8 43/64"	525	175	6.57/64"		1.8 43/64"	525	175	6.57/64"		1.8 43/64"	525	175	6.57/64"		525	1.8 43/64"		inch
a5	125	4.59/64"		1.6 45/64"	475		1.6 45/64"	475	125	4.59/64"		1.6 45/64"	475	125	4.59/64"		1.6 45/64"	475	125	4.59/64"		475	1.6 45/64"		inch
a6				1.4 47/64"	425		1.4 47/64"	425				1.4 47/64"	425				1.4 47/64"	425				425	1.4 47/64"		inch
e	6	1.5/64"		15/64"	6		15/64"	6	6	1.5/64"		15/64"	6	6	1.5/64"		15/64"	6	6	1.5/64"		6	1.5/64"		inch
f	25	63/64"		63/64"	25		63/64"	25	25	63/64"		63/64"	25	25	63/64"		63/64"	25	25	63/64"		25	63/64"		inch
g	64 or 81	2.33/64"		2.33/64"	64 or 81		2.33/64"	64 or 81	64 or 81	2.33/64"		2.33/64"	64 or 81	64 or 81	2.33/64"		2.33/64"	64 or 81	64 or 81	2.33/64"		64 or 81	2.33/64"		inch

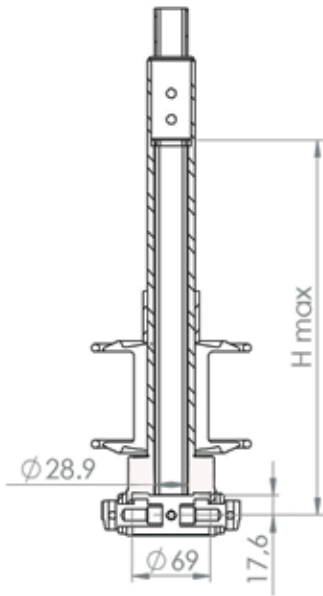
DIMENSIONS FOR C480, C520, C530 AND R480 MODELS



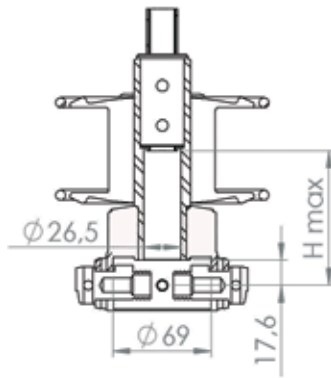
Long and medium link plates



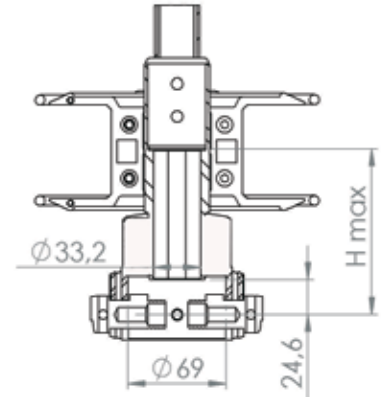
INNER DIMENSIONS OF DRUM MECHANISM



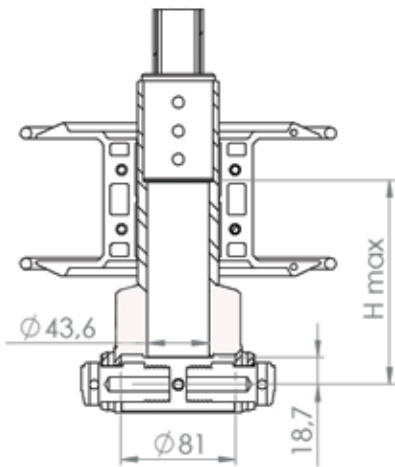
C290 - R250SP



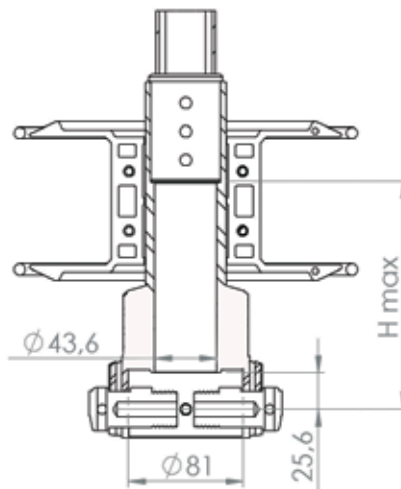
R250



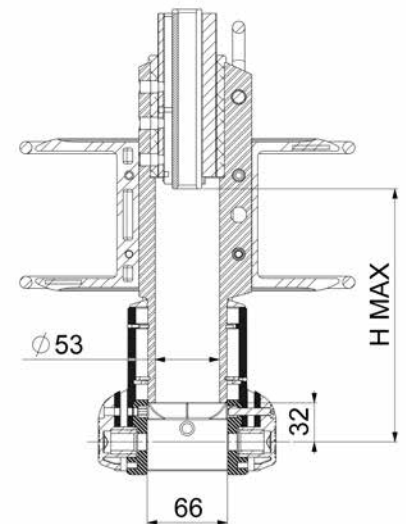
C320 - R350



C320SP - C350
C350SP - C420SP
C430SP - R350SP
R420SP - R430SP



C420 - C430
R420 - R430



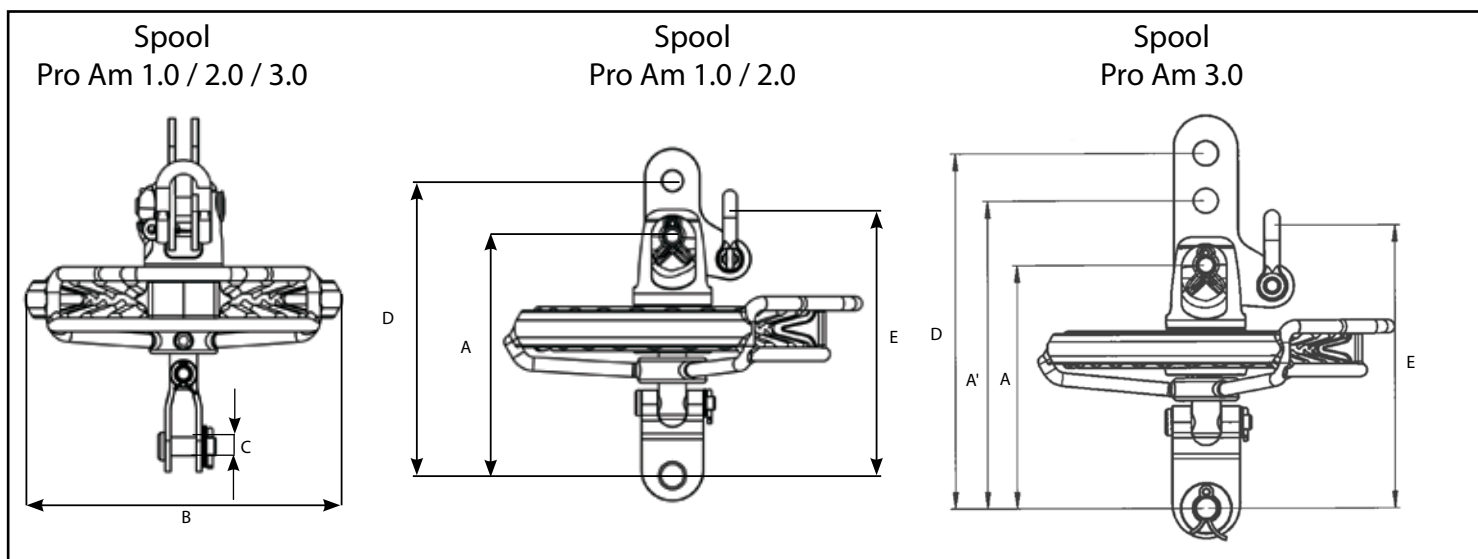
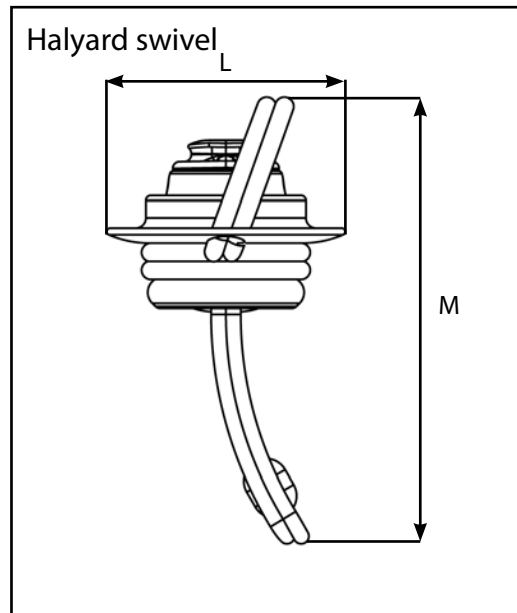
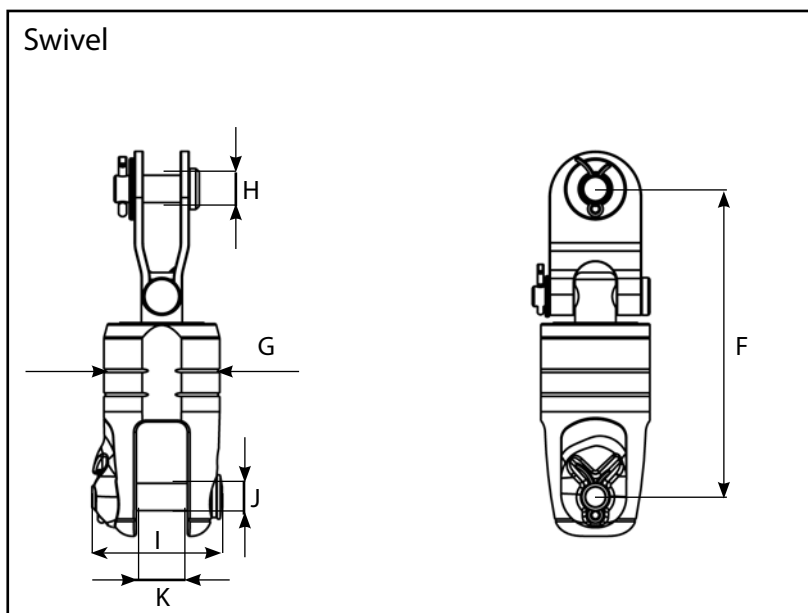
C480 - C520
C530 - R480

DRUM CAPACITY FOR HEADSAIL SYSTEMS AND SUGGESTED FURLING LINE DIAMETERS

Model	Ø Forestay mm (")	Boat length m (ft)	Forestay length	Max. genoa area	Ø luff mm (inch)	Ø furling line mm (inch)	Drum capacity m (ft)	Maximum LP
C260	5 (13/64")	5 to 8 m (16'-22')	6.5 à 8,5 m	15 m ²	6 (15/64")	6 (15/64")	7,6 m (25')	4 m (13')
C290	6,35 (1/4") / 7* (9/32")	7 to 10 m (22'-31')	10 à 14 m	30 m ²	5 (13/64")	6 (15/64") / 8 (5/16")	13 m (42') / 7,5 m (25')	8 m (26') / 3 m (10')
C320	7 (9/32") / 8* (5/16")	9,5 to 12 m (32'-39')	12 à 16 m	40 m ²	5 (13/64")	6 (15/64") / 8 (5/16")	26,2 m (85') / 14,7 m (46')	17 m (56') / 7 m (23')
C350	8 (5/16") / 10* (3/8")	11,5 to 13,5 m (37'-42')	14 à 18 m	55 m ²	5 (13/64")	8 (5/16") / 10 (3/8")	23,2 m (75') / 14,9 m (49')	19 m (62') / 7 m (23')
C420	10 (3/8") / 12,7* (1/2")	13 to 15 m (42'-45')	16 à 20 m	80 m ²	5 (13/64")	8 (5/16") / 10 (3/8")	31,4 m (101') / 20,1 m (65')	26 m (86') / 12,5 m (41')
C430	12,7 (1/2")	14 to 16 m (45'-60')	18 à 22 m	100 m ²	5 (13/64")	8 (5/16") / 10 (3/8")	31,4 m (101') / 20,1 m (65')	26 m (86') / 12,5 m (41')
C480	14,3 (9/16")	14,5 to 18,5 m (52'-65')	18 à 22 m	120 m ²	6 (15/64")	10 (3/8") / 12 (1/2")	30 m (98') / 22 m (72')	26,5 m (81') / 14,5 m (45')
C520	16 (5/8") / 19* (3/4")	16,5 to 18,5 m (56'-65')	20 à 24 m	140 m ²	6 (15/64")	10 (3/8") / 12 (1/2")	30 m (98') / 22 m (72')	26,5 m (81') / 14,5 m (45')
C530	19 (3/4")	18,5 to 26 m (65'-85')	22 à 26 m	220 m ²	6 (15/64")	10 (3/8") / 12 (1/2")	30 m (98') / 22 m (72')	26,5 m (81') / 14,5 m (45')
C700	25,4 (63/64")	20 to 30 m	25 - 32,5 m	300 m ²	8 (5/16")	12 (3/8") / 14 (1/2")	-	-
R250	6,35 (1/4")	6 à 9 m (19'-30')	8 à 12 m	30 m ²	5 (13/64")	6 (15/64") / 8 (5/16")	11,1 m / 6,2 m	4,5 m (13') / 2,5 m (8')
R350	8 (5/16")	9,5 to 12,5 m (31'-41')	12 - 16 m	45 m ²	5 (13/64")	6 (15/64") / 8 (5/16")	26,2 m / 14,7 m	17 m (56') / 7 m (23')
R420	10 (3/8")	11,5 to 14,5 m (37'-47')	14 - 18 m	70 m ²	5 (13/64")	8 (5/16") / 10 (3/8")	31,4 m / 20,1 m	26 m (86') / 12,5 m (41')
R430	11,1 (7/16")	13 to 16,5 m (43'-54')	16 - 20 m	90 m ²	5 (13/64")	8 (5/16") / 10 (3/8")	31,4 m / 20,1 m	26 m (86') / 12,5 m (41')
R480	12,7 (1/2")	15,5 to 20 m (52'-65')	18 - 22 m	100 m ²	6 (15/64")	10 (3/8") / 12 (1/2")	30 m (98') / 22 m (72')	26,5 m (86') / 14,5 m (45')

*: installation with swageless eye - In that case, the sail area recommended must be respected as well as the drum capacity.

TECHNICAL DATA: STRUCTURAL FURLERS - PRO AM

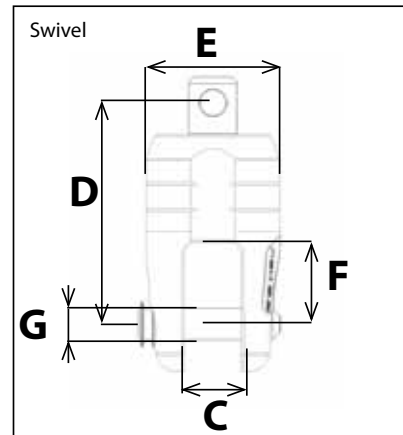
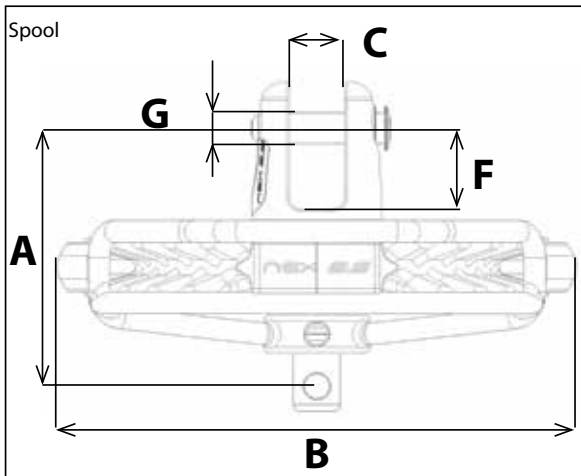


Technical data: spool	PRO AM 1.0	PRO AM 2.0	PRO AM 3.0
A / A' mm	104	122	128 / 162
B mm	140	180	180
C mm	8	10	12
D mm	128	152	187
E mm	118	142	149
Ø spool : mm	120	150	150
Ø furling line mm	10	10	10
Weight: spool (only) Kg	0.660	1.080	1.080

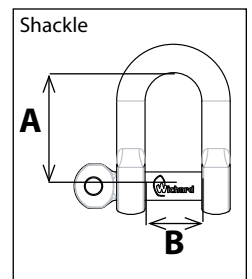
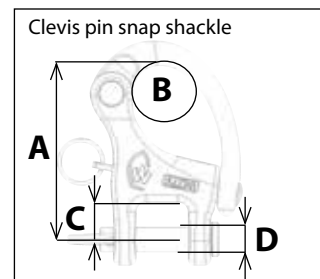
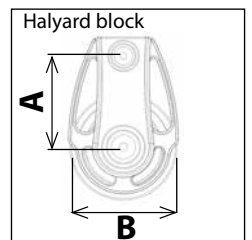
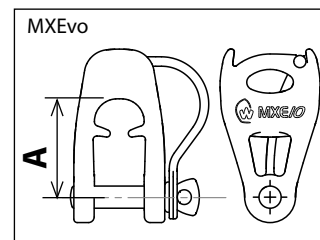
Technical data: swivel	PRO AM 1.0	PRO AM 2.0	PRO AM 3.0
F mm	90	109	115
G mm	34	42	42
H mm	8	10	12
I mm	38	47	47
J mm	8	10	10
K mm	15	18	18
Weight: swivel (only) Kg	0.210	0.340	0.340
Technical data: halyard swivel			
L mm	70	70	70
M mm	129	129	129
Weight: halyard swivel (only) Kg	0,150	0,150	0.150

TECHNICAL DATA: FLYING SAIL FURLERS NEX

Technical data for mechanisms	Technical data: spool	NEX 0.9	NEX 1.5	NEX 2.5	NEX 5.0
	Height pin to pin: A mm	62,4 (2 29/64")	73,6 (2 57/64")	82,9 (3 17/64")	109,5 (4 5/16")
	Width drum mechanism: B mm	125 (4 59/64")	140 (5 33/64")	180 (7 3/32")	230 (9 1/16")
	Width fork: C mm	12 (15/32")	15 (19/32")	18 (23/32")	19 (3/4")
	Depth under pin: F mm	23 (1 29/32")	22 (1 7/8")	26 (1/32")	34 (1 11/32")
	Ø pin G mm	8	8	10	12
	Ø spool: mm	100 (3 15/16")	120 (4 23/32")	150 (5 7/8")	195 (7 11/16")
	Ø continuous line mm	8 (5/6")	10 (3/8")	10 (3/8")	10 (3/8")
	Weight: spool (only) Kg	0,330	0,530	0,820	1,440
	Technical data: swivel				
	Height pin to pin: D mm	47,3 (1 55/64")	58,8 (2 5/16")	69,6 (3 17/64")	94 (3 45/64")
	Width swivel: E mm	31 (1 7/32")	34 (1 5/16")	42 (1 5/8")	50 (1 31/32")
	Width fork: C mm	12 (15/32")	15 (19/32")	18 (23/32")	19 (3/4")
	Depth under pin: F mm	23 (1 29/32")	22 (1 7/8")	26 (1/32")	34 (1 11/32")
	Ø pin G mm	8	8	10	12
Weight: swivel (only) Kg	0,100	0,140	0,240	0,470	
Max Ø luff line mm	8 (5/6")	8 (5/6")	12 (1/2")	16 (5/8")	

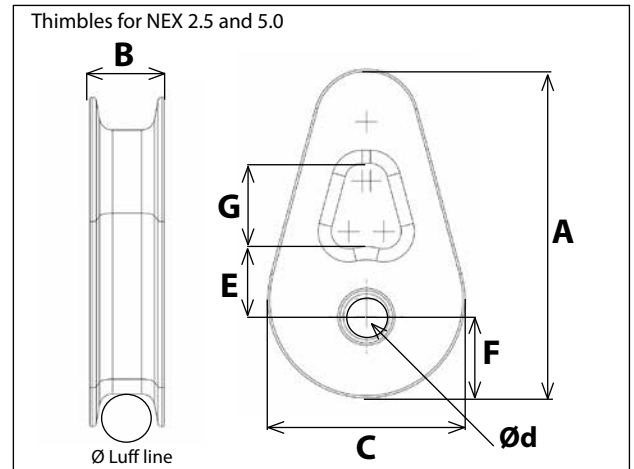
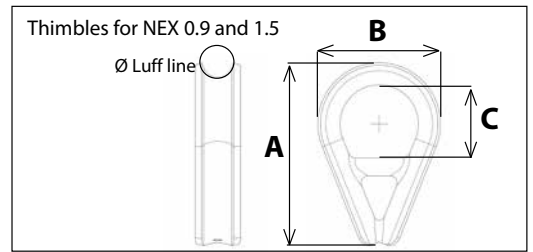


Technical data for terminals	Technical data: MXEvo halyard shackle	MXEvo Ø 6 (11603)	MXEvo Ø 8 (11604)	MXEvo Ø 10 (11605)
	A mm	18 (1 9/64")	18 (1 9/64")	22 (1 7/8")
	Ø halyard mm	8 (5/16")	10 (3/8")	14 (9/16")
	Weight Kg	0,053	0,109	0,222
	Technical data: halyard block	2,5T		5T
	Height pin to pin: A mm	45 (1 49/64")		60 (2 23/64")
	Ø sheave : B mm	55 (2 11/64")		70 (2 3/4")
	Ø halyard mm	12 (1/2")		16 (5/8")
	Weight Kg	0,160		0,370
	Technical data: clevis pin snap shackle	Part # 54100	Part # 54101	Part # 54102
	For NEX:	NEX 0.9 and 1.5	NEX 2.5	NEX 5.0
	Height: pin to arm: A mm	39,5 (1 9/16")	54 (2 1/8")	65,5 (2 9/16")
	Passage diameter: B mm	16 (5/8")	21 (53/64")	26 (1 1/32")
	C: mm	8.1	11.5	14
	Ø D: mm	6	8	10
Weight Kg	0,054	0,130	0,257	
Technical data: Wichard HR shackle	Part # 11203 (NEX 0.9 & 1.5)	Part # 11204 (NEX 2.5)	Part # 11205 (NEX 5.0)	
Ø pin mm	Ø 6	Ø 8	Ø 10	
A / B : mm	20 / 12	26 / 16	33 / 20	
Weight Kg	0,024	0,052	0,102	



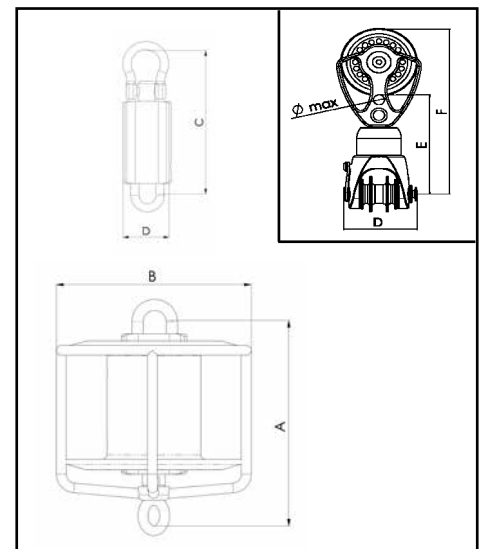
TECHNICAL DATA: FLYING SAIL FURLERS NEX

Technical data for thimbles	Part # : 119907 (NEX 0.9)	Part # : 119908 (NEX 1.5)	Part # : P542538 (NEX 2.5)	Part # : P545038 (NEX 5.0)	
	A mm	45	50	75	92
	B mm	28	33	17	18
	C mm	17	20	45	52
	Ø d mm	-	-	10,5	12,5
	E mm	-	-	16	19
	F mm	-	-	18,5	21,5
	G mm	-	-	19	21
	Ø luff line max mm	8	10	12	16
	Weight Kg	0,015	0,017	0,055	0,068
	Material	stainless steel		aluminium	



TECHNICAL DATA: FLYING SAIL FURLERS WITH DRUM

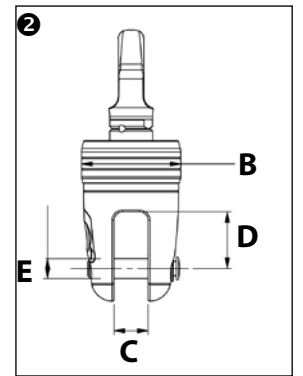
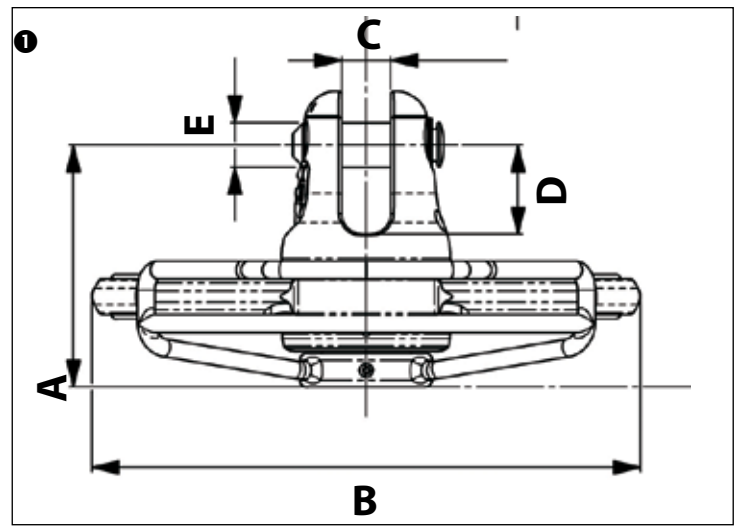
EC models with drum	EC 1500	EC 2500	EC 4000	EC 6000	EC 12000
A mm	155 (6 7/64")	155 (6 7/64")	234 (9 7/32")	240 (9 15/32")	420 (16 17/32")
B mm	140 (5 33/64")	140 (5 33/64")	202 (7 61/64")	240 (9 15/32")	280 (11 1/32")
C mm	140 (5 33/64")	140 (5 33/64")	195 (7 43/64")	240 (9 15/32")	345 (13 5/8")
D mm	45 (1 49/64")	57 (2 1/4")	50 (1 15/16")	63 (2 31/64")	155 (6 7/64")
E mm		97			
F mm		145			
Ø Furling line mm	6 or 8 (1/4" or 5/16")	6 or 8 (1/4" or 5/16")	8 or 10 (5/16" or 3/8")	10 (3/8")	12 (1/2")
Ø luff line mm	6 (1/4")	-	6 or 8 1/4" or 5/16"	8 or 10 5/16" or 3/8"	10 or 12 3/8" or 1/2"
Ø maxi halyard 2:1 block	6 (1/4")	-	12 (1/2")	14 (9/16")	-
Weight drum Kg	0,98		2,2	3,5	10,8
Weight swivel Kg	0,47		0,9	2,2	6,0



TECHNICAL DATA: FLYING SAIL FURLERS

NEX 8.0 - NEX 12.0

Technical data for mechanisms	Technical data: spool Fig 1.		NEX 8.0	NEX 8.0
	Height pin to pin: A mm		105	108,5
	Width drum mechanism: B mm		210	245
	Width fork: C mm		24 (FF#3)	22 (FF#4)
	Depth fork: D mm		40	40
	Ø pin: E mm		14	20
	Ø spool: mm		200	230
	Ø continuous line mm		10	10
	Weight: spool (only) Kg		1,800	2,700
	Technical data: swivel Fig 2.		NEX 8.0	NEX 8.0
	Height pin to pin: A mm		155	155
	Diameter: B mm		70	83
	Width fork: C mm:		24 (FF#3)	22 (FF#4)
	Depth fork: D mm		40	40
Ø pin: E mm		14	20	
Weight: swivel (only) Kg		1.200	1.660	



Eye Fig 3.	NEX 8.0	NEX 12.0
Ø C: mm	20.50	23.50
Height pin to pin D: mm	137	143
Weight Kg	0.180	0.290

Lashing eye Fig 4.	NEX 8.0	NEX 12.0
Ø C: mm	28	32
Height pin to pin D: mm	155	155
Weight Kg	0.180	0.290

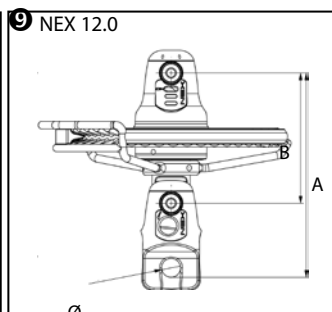
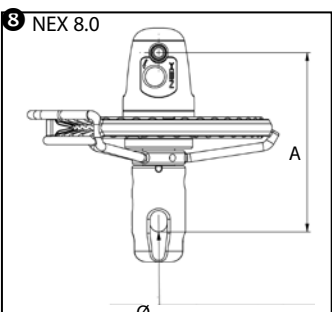
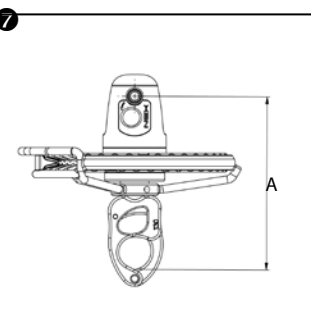
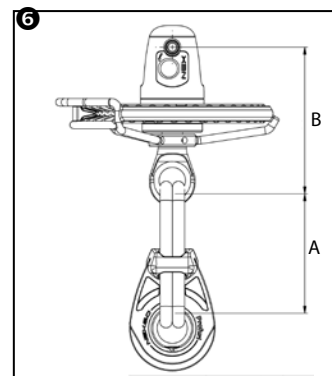
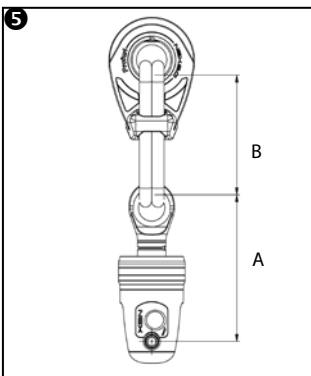
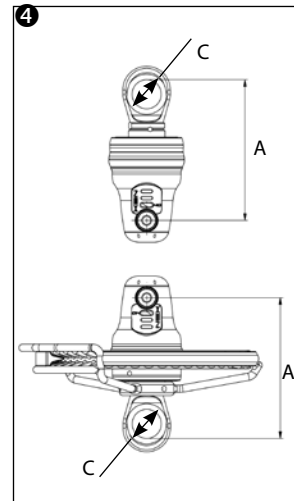
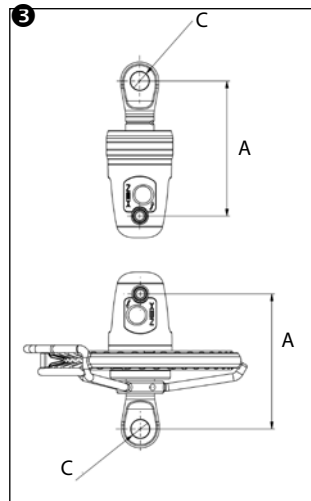
Halyard block Fig 5.	NEX 8.0	NEX 12.0
A mm	155	155
B: mm	126	141
Ø rope mm	18	22
Weight Kg	0.150	0.440

Halyard block Fig 6.	NEX 8.0	NEX 12.0
A mm	126	141
B: mm	155	155
Ø rope mm	18	22
Weight Kg	0.150	0.440

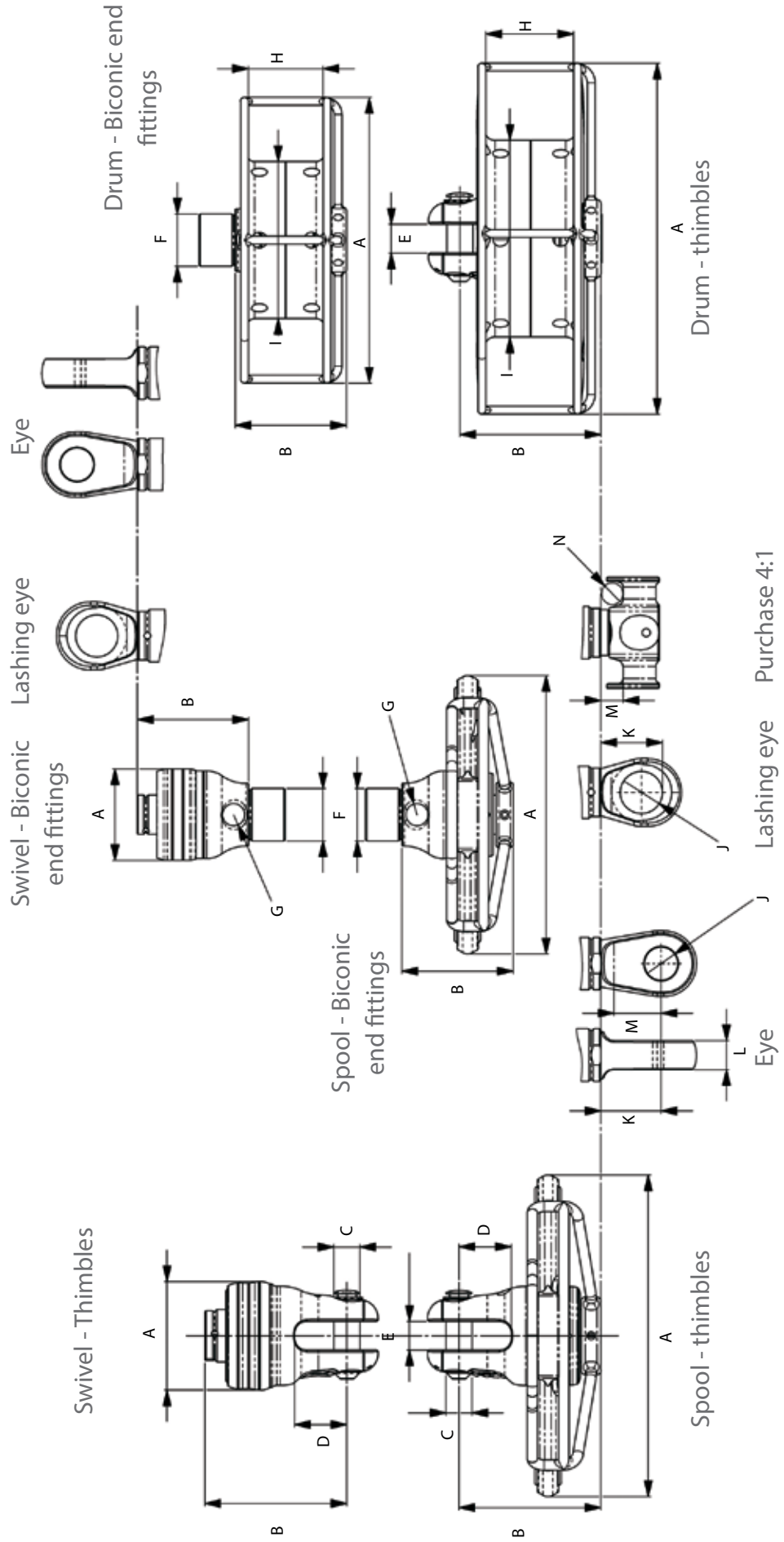
Trigger snapshackle Wichard Part #Fig 7.	NEX 8.0	NEX 12.0
A mm	188	nd
Breaking load Kg	8700	nd
Weight Kg	0.189	nd

Trigger snapshackle Tylaska T30 Fig 7.	NEX 8.0	NEX 12.0
A mm	183	nd
Breaking load Kg	13.000	nd
Weight Kg	0.520	nd

Hardsheave 3.1 Fig 8-9	NEX 8.0	NEX 12.0
A mm	168	215
B: mm	-	137
Ø rope mm	16	20
Weight Kg	0.840	1.250



TECHNICAL DATA STAYFURLERS: NEX STR

































Lashing eye Purchase 4:1

TECHNICAL DATA STAYFURLERS: NEX STR

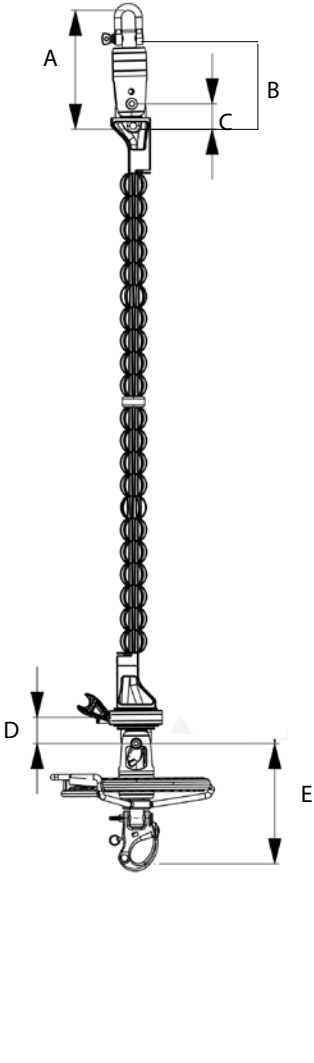
LOWER MECHANISM: DIMENSIONS & WEIGHT				
NEXSTR4.0	NEXSTR5.0	NEXSTR8.0	NEXSTR10.0	NEXSTR12.0
SPOOL FOR THIMBLES				
Width: A mm	213	210	245	245
Height: B mm	92	105	108,5	108,5
Pin Ø: C mm	12	14	20	20
Depth fork: D mm	39	40	40	40
Width fork: E mm	20	24	22	22
Weight Kg	1,730	1,800	2,700	2,700
SPOOL FOR BICONIC END FITTING (NAVTEC)				
Width: A mm	210	210	245	245
Height: B mm	76,5	85	92,5	92,5
Thread: F	M38x200-L26	M40x200-L28	M44x200-L32	M48x200-L36
Ø lashing hole: G mm	15	17	20	20
Weight Kg	1,400	1,700	2,540	2,570
DRUM FOR THIMBLES				
Width: A mm	-	218	268	268
Height: B mm	-	105	108,5	108,5
Pin Ø: C mm	-	14	20	20
Depth fork: D mm	-	40	40	40
Width fork: E mm	-	24	22	22
H mm	-	60	70	70
Ø drum: I mm	-	120	150	150
Weight Kg	-	1,870	3,120	3,120
DRUM FOR BICONIC END FITTINGS (NAVTEC)				
Width: A mm	-	218	268	268
Height: B mm	-	105	92,5	92,5
Thread: F	-	M40x200-L28	M44x200-L32	M48x200-L36
Ø lashing: hole G mm	-	15	20	20
H mm	-	60	70	70
Ø drum: I mm	-	120	150	150
Weight Kg	-	1,770	2,880	2,920
DRUM CAPACITY AND SUGGESTED FURLING LINE DIAMETERS				
NEX STR 4.0	NEX STR 5.0	NEX STR 8.0	NEX STR 10.0	NEX STR 12.0
Drum capacity m	15 m	10 m	14 m	14 m
Ø furling line mm	8 mm	10 mm	10 mm	10 mm

SWIVELS: DIMENSIONS & WEIGHT				
NEXSTR4.0	NEXSTR5.0	NEXSTR8.0	NEXSTR10.0	NEXSTR12.0
SWIVELS FOR THIMBLES				
Width A mm	58	70	83	83
Height: B mm	76,7	105	108,5	108,5
Pin Ø: C mm	12	14	20	20
Depth fork: D mm	39	40	40	40
Width fork: E mm	20	24	22	22
Weight: Kg	0,780	0,900	1,400	1,400
SWIVELS FOR BICONIC END FITTINGS (NAVTEC)				
Width: A mm	52	70	83	83
Height: B mm	61,5	85	92,5	92,5
Thread: F	M38x200-L26	M40x200-L28	M44x200-L32	M48x200-L36
Ø lashing hole	15	Ø15	17	20
Weight: Kg	0,410	0,410	0,800	1,200
TERMINALS: DIMENSIONS & WEIGHT				
NEXSTR4.0	NEXSTR5.0	NEXSTR8.0	NEXSTR10.0	NEXSTR12.0
LASHING EYE				
Ø hole J mm	25	25	28	32
Height: K mm	37,5	37,5	50	47
Weight: Kg	0,140	0,140	0,180	0,290
EYE				
Ø hole: J mm	12,5	16,5	19,5	22,2
Height: K mm	22	28	37,5	23,2
Thickness: L mm	12	15	18,5	21,8
Length: M mm	16	21	21	19
Weight: Kg	0,080	0,130	0,300	0,600
FRICTION PURCHASE 4:1				
Ø max: N	12	12	14	16
Length: M mm	12	12	14	17

SELECTION TABLE: NEX STR STAYFURLERS

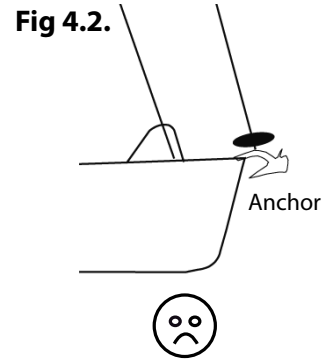
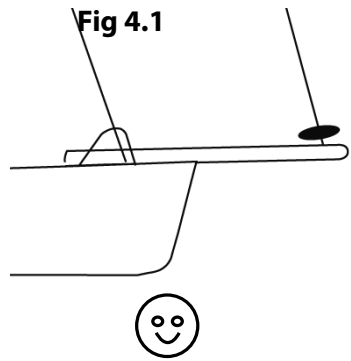
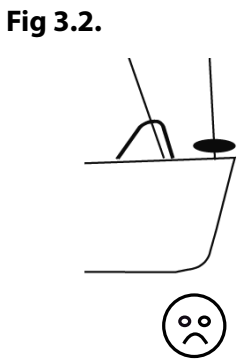
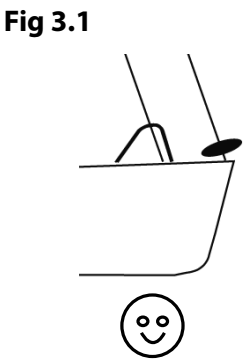
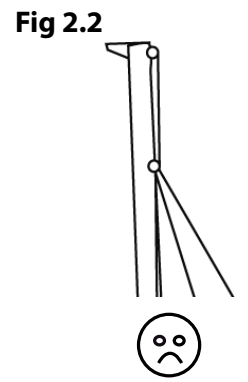
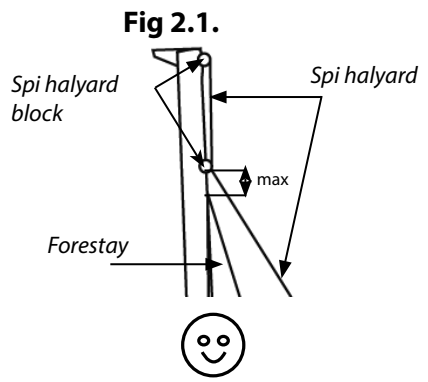
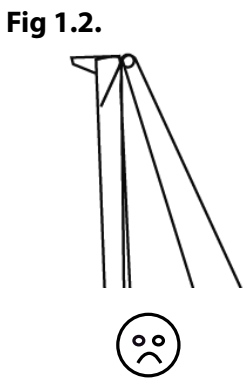
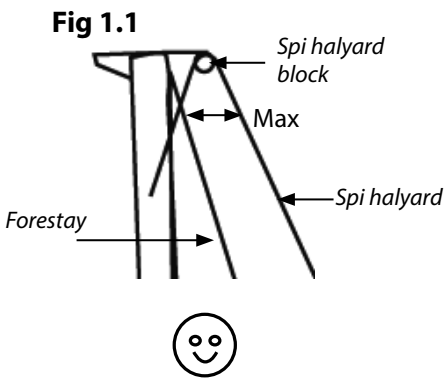
Choose your standard stayfurler model	Coding	Advice																												
<p>1 What is your cable made of and what is its diameter?</p> <table border="1" data-bbox="252 1229 579 2013"> <thead> <tr> <th colspan="2">Stainless steel wire</th> <th>Fiber cable</th> <th>Model size that corresponds to the cable</th> </tr> <tr> <th>1 x 19 mm</th> <th>Rod</th> <th>Size</th> <th></th> </tr> </thead> <tbody> <tr> <td>8</td> <td># 10</td> <td>9T - 14T</td> <td>NEX STR 4.0</td> </tr> <tr> <td>10</td> <td># 17</td> <td>14T</td> <td>NEX STR 5.0</td> </tr> <tr> <td>12</td> <td># 22</td> <td>19T</td> <td>NEX STR 8.0</td> </tr> <tr> <td>14</td> <td># 30</td> <td>24T</td> <td>NEX STR 10.0</td> </tr> <tr> <td>16)</td> <td># 40</td> <td>30T</td> <td>NEX STR 12.0</td> </tr> </tbody> </table>	Stainless steel wire		Fiber cable	Model size that corresponds to the cable	1 x 19 mm	Rod	Size		8	# 10	9T - 14T	NEX STR 4.0	10	# 17	14T	NEX STR 5.0	12	# 22	19T	NEX STR 8.0	14	# 30	24T	NEX STR 10.0	16)	# 40	30T	NEX STR 12.0	<p>NEX STR 5.0</p>	<ul style="list-style-type: none"> To get the right stayfurler, we need to know what stainless steel wire is recommended by the boatyard or the architect. Example: for a 10 mm diameter 1x19 wire, the equivalent fiber cable must have a breaking load of 14 tonnes. Thus, the appropriate model is the NEX STR 5.0.
Stainless steel wire		Fiber cable	Model size that corresponds to the cable																											
1 x 19 mm	Rod	Size																												
8	# 10	9T - 14T	NEX STR 4.0																											
10	# 17	14T	NEX STR 5.0																											
12	# 22	19T	NEX STR 8.0																											
14	# 30	24T	NEX STR 10.0																											
16)	# 40	30T	NEX STR 12.0																											
<p>2 What is the chosen type of cable? Mark F or N</p> <table border="1" data-bbox="639 1502 807 1949"> <tr> <td>Thimble: F</td> <td></td> </tr> <tr> <td>Biconic (Navtec): N</td> <td></td> </tr> </table>	Thimble: F		Biconic (Navtec): N		<p>NEX STR 5.0 - N</p>	<ul style="list-style-type: none"> Cables with thimbles are installed on fork mechanisms. Biconic end fittings (e.g. Navtec) are installed on threaded mechanisms. 																								
Thimble: F																														
Biconic (Navtec): N																														
<p>3 What type of drum do you want? - Mark S or D</p> <table border="1" data-bbox="868 1502 1035 1949"> <tr> <td>Spool: S</td> <td></td> </tr> <tr> <td>Drum: D</td> <td></td> </tr> </table>	Spool: S		Drum: D		<p>NEX STR 5.0 - NS </p>	<ul style="list-style-type: none"> The spool version provides optimal sail luff and is used in conjunction with a continuous furling line. The drum version can be simply fitted to the deck and uses a classic furling line (1 strand). 																								
Spool: S																														
Drum: D																														
<p>4 What are the deck terminals? - Mark E, L or P</p> <table border="1" data-bbox="1096 1278 1256 1949"> <tr> <td>Eye: E</td> <td></td> </tr> <tr> <td>Lashing eye: L</td> <td></td> </tr> <tr> <td>Purchase: P</td> <td></td> </tr> </table>	Eye: E		Lashing eye: L		Purchase: P		<p>NEX STR 5.0 - NSE </p>	<ul style="list-style-type: none"> Eye end fitting: Fitted with a toggle for classic metal fittings. Lashing eye end fitting: a light and performance-enhancing solution. Fitted with a loop to make a light anchoring point The friction purchase allows the stay to be adjusted from below. 4:1 Adjustments. Loop may be fastened. 																						
Eye: E																														
Lashing eye: L																														
Purchase: P																														
<p>5 What are the mast terminals? - Mark E or L</p> <table border="1" data-bbox="1324 1502 1476 1949"> <tr> <td>Eye: E</td> <td></td> </tr> <tr> <td>Lashing eye: L</td> <td></td> </tr> </table>	Eye: E		Lashing eye: L		<p>NEX STR 5.0 - NSEE </p>	<ul style="list-style-type: none"> Eye end fitting: a simple and reliable solution for fitting the swivel to the mast. Fitted with a toggle for classic metal fittings. Lashing eye end fitting: a light and performance-enhancing solution. Fitted with a loop to make a light anchoring point 																								
Eye: E																														
Lashing eye: L																														
<p>Part number of the complete stayfurler</p>			<p>NEX STR 5.0 - NSEE</p>																											

TECHNICAL DATA: TOP DOWN SPINNAKER FURLER - SPINEX



Technical data for mechanism		SPINEX 0.9	SPINEX 1.5	SPINEX 2.5	SPINEX 5.0
	A mm	99.30	110.8	149.60	185
	B mm	67.30	78.8	101.60	135
	C mm	32	32	48	50
	D mm	32	32	48	50
	E mm	101.9	113.10	136.9	175
	∅ spool: mm	100 mm	120 mm	150 mm	195 mm
	∅ furling line mm	8	10	10	10
	∅ anti-twist cable mm	9.5 mm	9.5 mm	12.7 mm	12.7 mm
	Weight: spool (only) Kg	0.330	0.530	0.820	1.440
	Weight: tack swivel, lower end fitting and thimble Kg	0.390	0.395	0.645	0.640
	Weight: swivel (only) Kg	0.100	0.140	0.240	0.470
	Weight upper terminal and thimble Kg	0.110	0.115	0.290	0.285

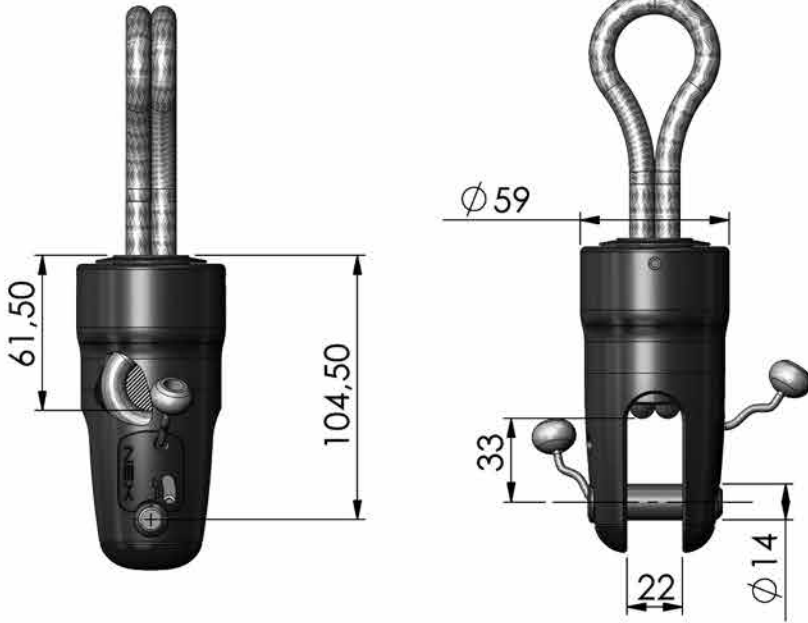
Technical data: thimbles		SPINEX 0.9	SPINEX 1.5	SPINEX 2.5	SPINEX 5.0
	A mm	11	14	17	18
	B mm	31.5	31.5	42	42
	∅ C mm	10	10	14	14
	D mm	10.50	10.50	12	16



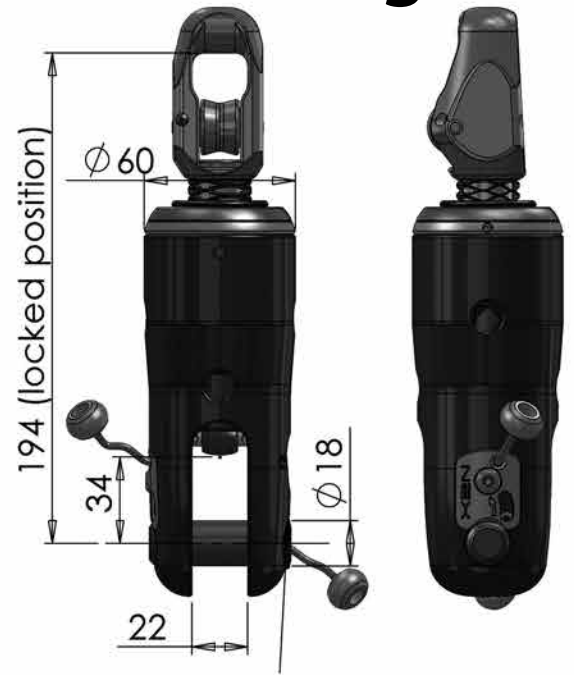
NEX HYBRID

TECHNICAL DATA: FLYING SAIL FURLERS NEX 6.X

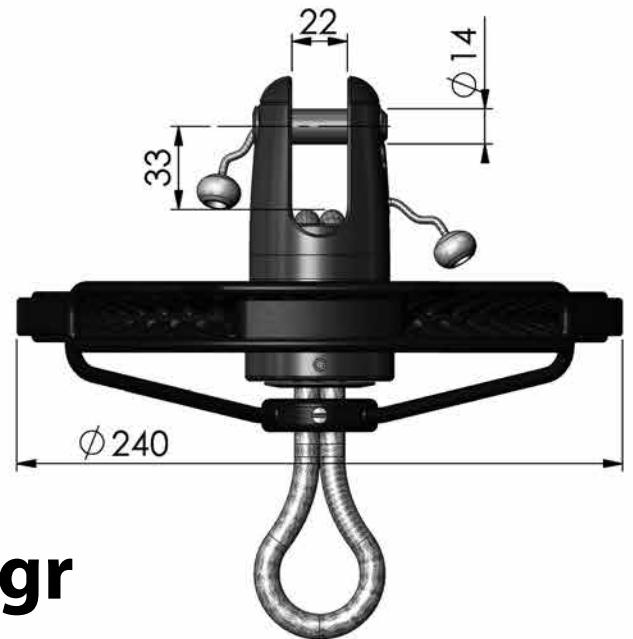
800 gr



970 gr



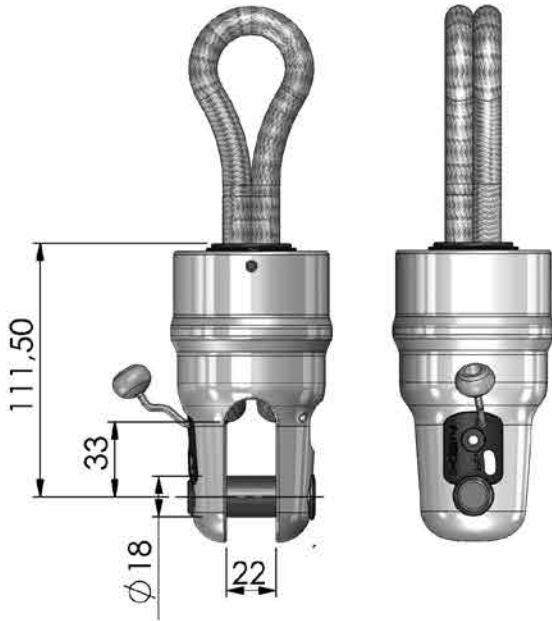
1570 gr



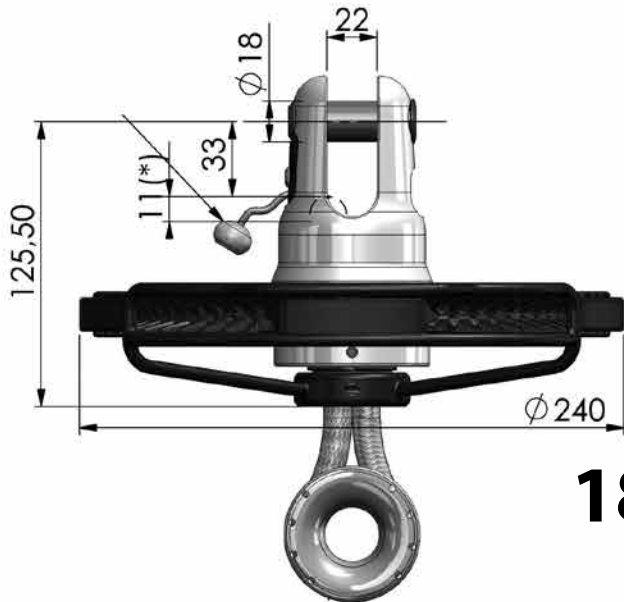
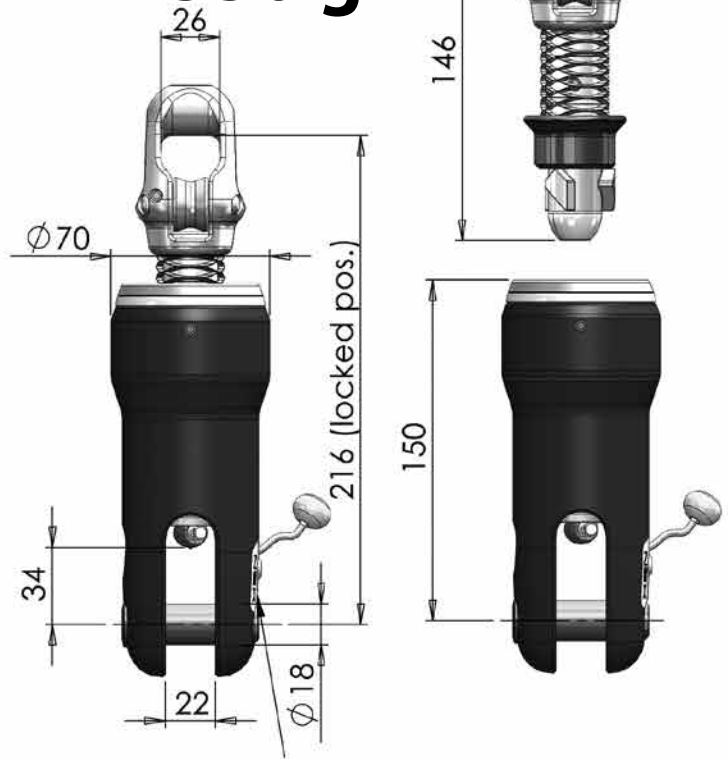
NEX HYBRID

TECHNICAL DATA: FLYING SAIL FURLERS NEX9.X

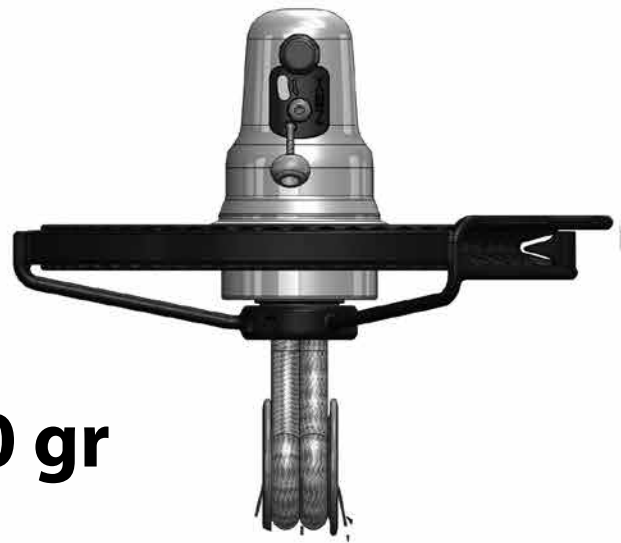
850 gr



1550 gr

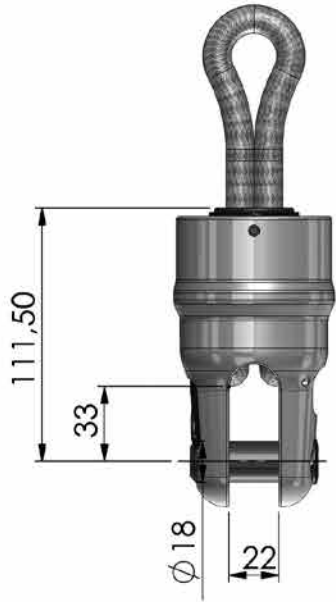


1880 gr

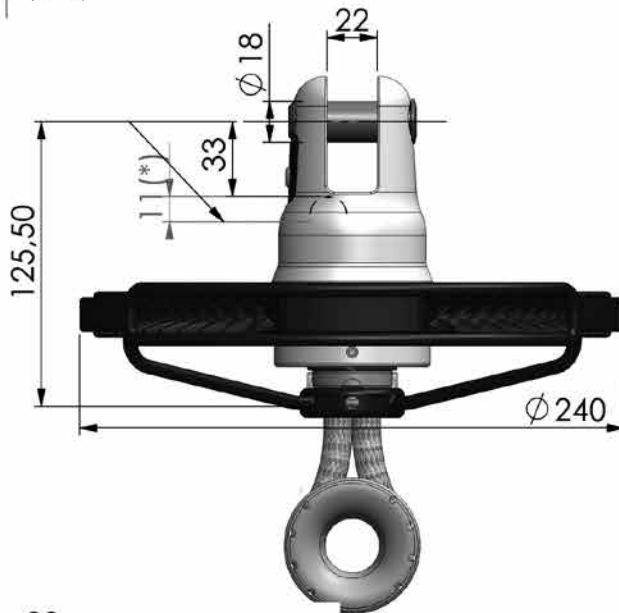


NEX HYBRID

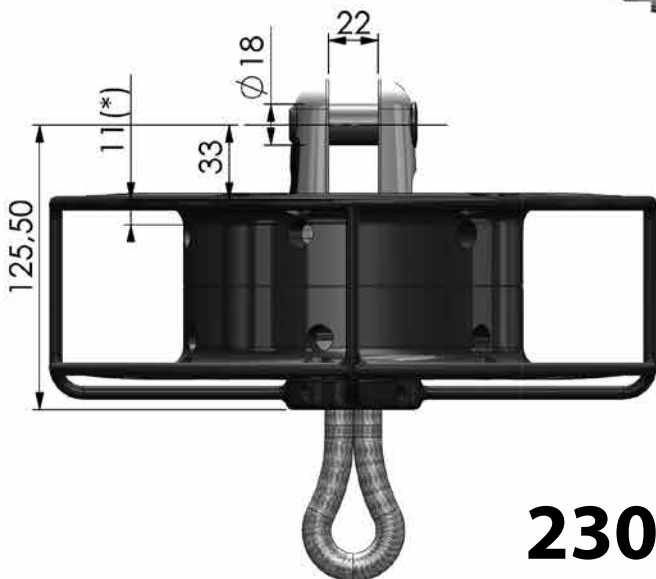
TECHNICAL DATA: STAYFURLERS NEXSTR 9.X



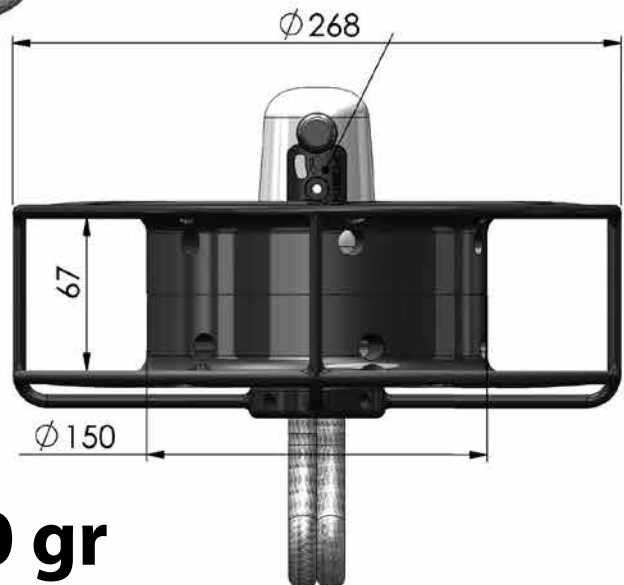
850 gr



1880 gr

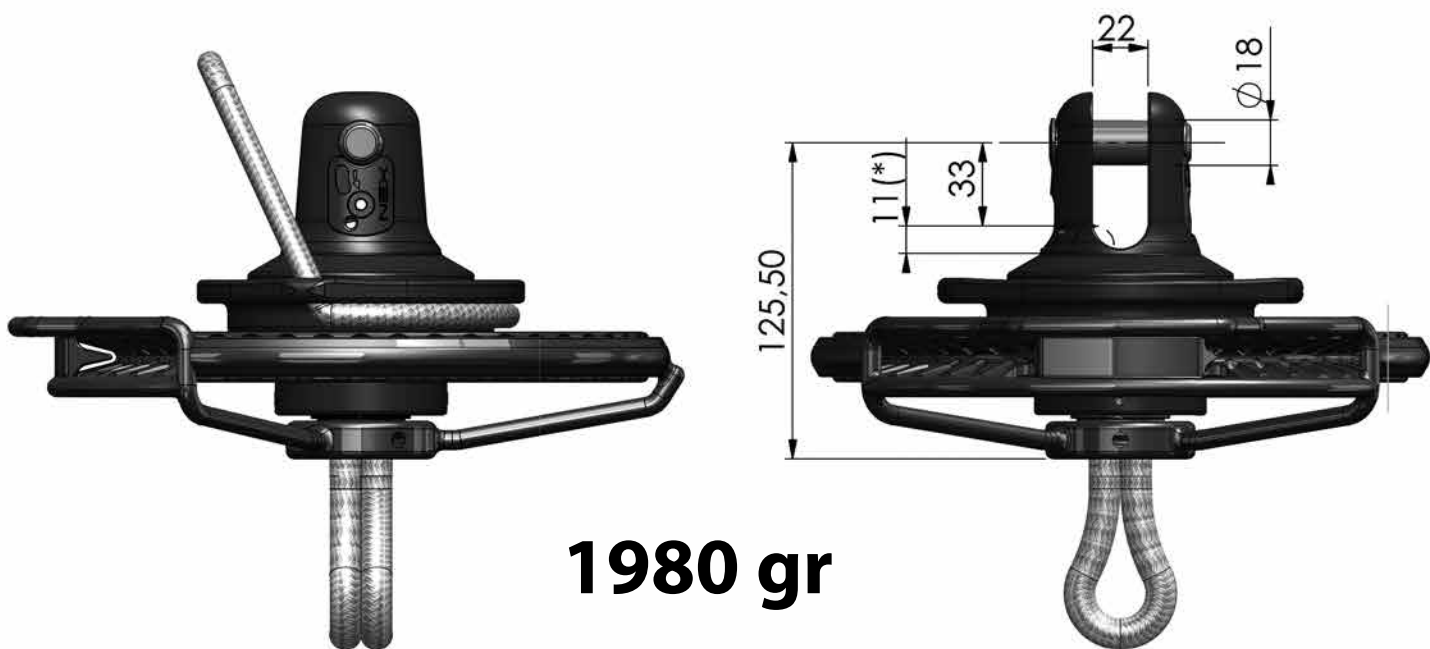


2300 gr



NEX HYBRID

TECHNICAL DATA: FLYING SAIL FURLERS - TOP DOWN VERSION NEX6.X



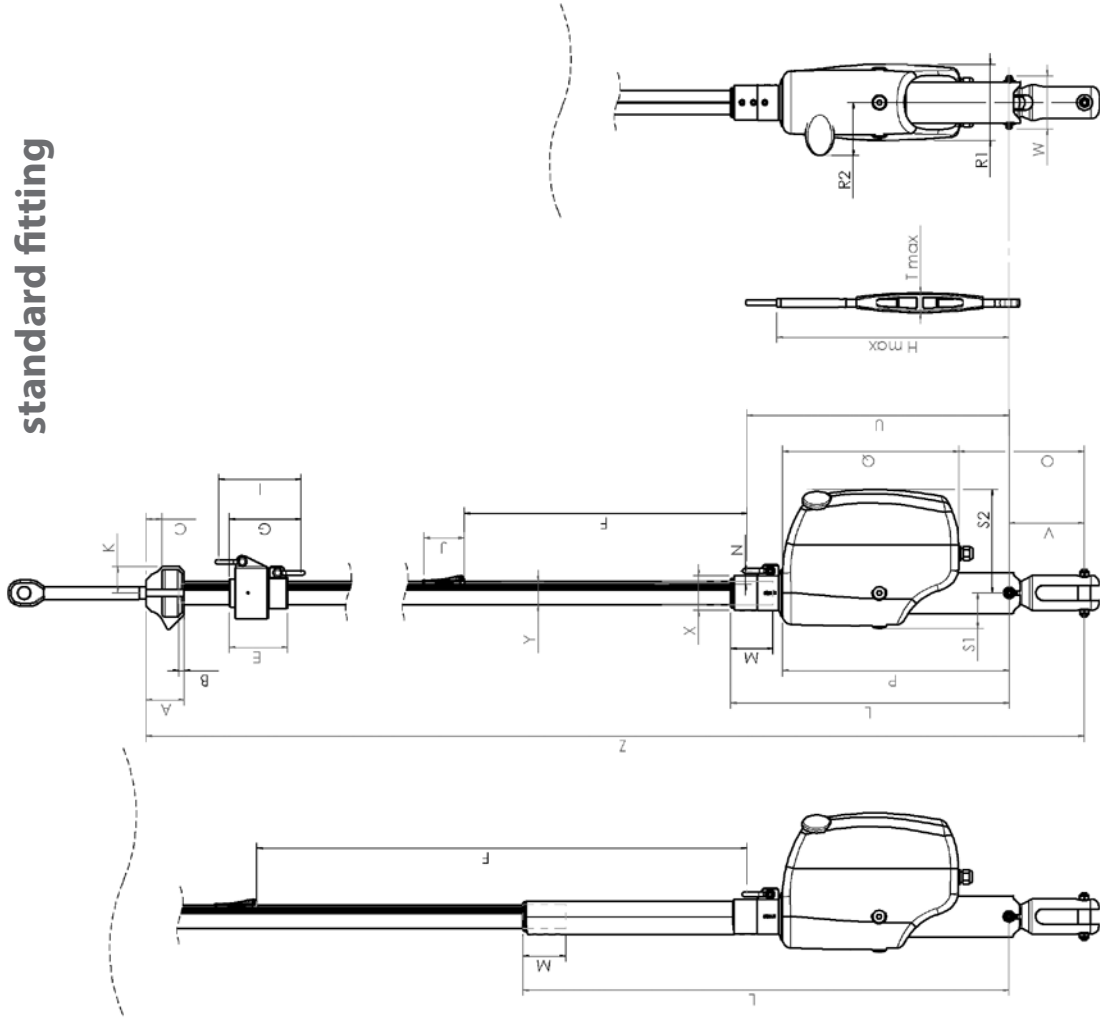
TECHNICAL DATA: MOTORISED FURLING SYSTEMS

DIMENSIONS TABLE

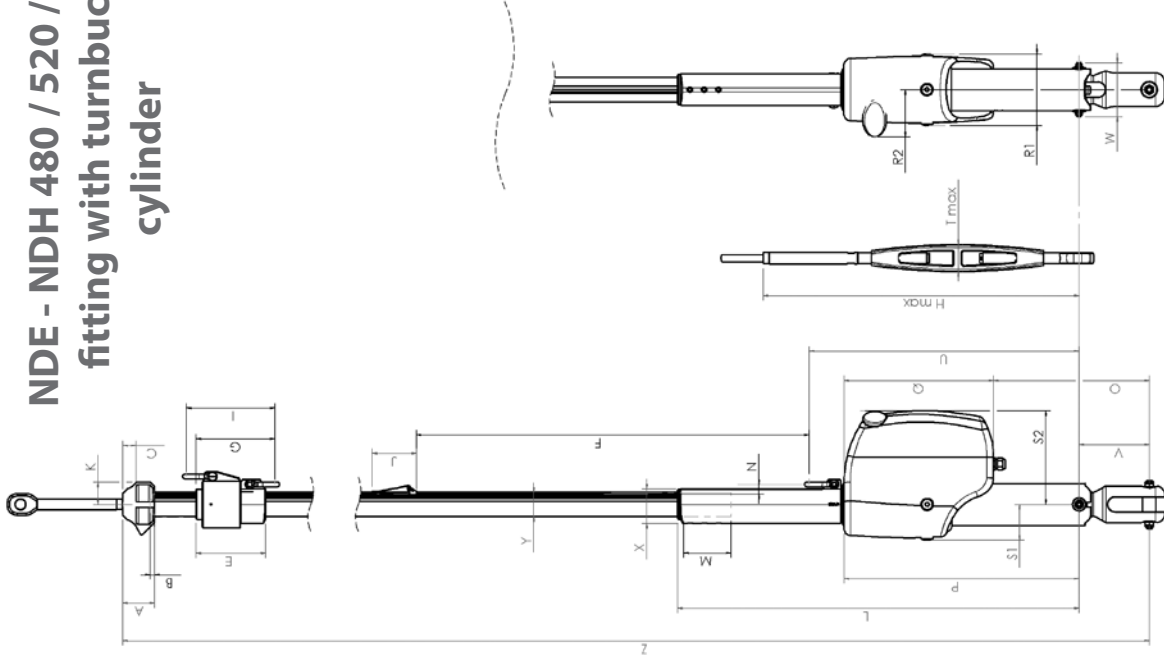
	NDE / NDH C420				NDE / NDH R420				NDE / NDH C430				NDE / NDH R430				NDE / H C480		NDE / NDH C520		NDE / NDH C530			
	Standard		with turnbuckle cylinder		Standard		with turnbuckle cylinder		Standard		with turnbuckle cylinder		Standard		with turnbuckle cylinder		Standard		Standard		Standard			
	mm	inch	mm	inch	mm	inch	mm	inch	mm	inch	mm	inch	mm	inch	mm	inch	mm	inch	mm	inch	mm	inch		
A	68	2'43/64"	See standard	See standard	68	2'43/64"	See standard	See standard	68	2'43/64"	See standard	See standard	68	2'43/64"	See standard	68	2'43/64"	68	2'43/64"	68	2'43/64"	68	2'43/64"	
B	10	13/32"	See standard	See standard	10	13/32"	See standard	See standard	10	13/32"	See standard	See standard	10	13/32"	See standard	14	35/64"	14	35/64"	14	35/64"	14	35/64"	
C	28	17/64"	See standard	See standard	28	17/64"	See standard	See standard	28	17/64"	See standard	See standard	28	17/64"	See standard	28	17/64"	28	17/64"	28	17/64"	28	17/64"	
E	103	4'1/16"	See standard	See standard	103	4'1/16"	See standard	See standard	140	5'33/64"	See standard	See standard	140	5'33/64"	See standard	146	5'3/4"	146	5'3/4"	168	5'3/4"	168	5'3/4"	
F	498	1'7'39/64"	863	2'9'31/32"	498	1'7'39/64"	863	2'9'31/32"	498	1'7'39/64"	863	2'9'31/32"	498	1'7'39/64"	863	2'9'31/32"	827	2'8'9/16"	827	2'8'9/16"	827	2'8'9/16"		
G	126	4'61/62"	See standard	See standard	126	4'61/62"	See standard	See standard	170	6'11/16"	See standard	See standard	170	6'11/16"	See standard	170.5	6'11/16"	170	6'11/16"	192.5	6'11/16"	192.5	6'11/16"	
H max	400	1'3'3/4"	765	2'6'1/8"	400	1'3'3/4"	765	2'6'1/8"	400	1'3'3/4"	765	2'6'1/8"	400	1'3'3/4"	765	2'6'1/8"	730	2'4'47/64"	730	2'4'47/64"	730	2'4'47/64"		
I	144	5'43/64"	See standard	See standard	144	5'43/64"	See standard	See standard	196	7'3/4"	See standard	See standard	196	7'3/4"	See standard	194	7'41/64"	194	7'41/64"	218	7'41/64"	218	7'41/64"	
J	72	2'53/64"	See standard	See standard	72	2'53/64"	See standard	See standard	72	2'53/64"	See standard	See standard	72	2'53/64"	See standard	84	3'5/16"	84	3'5/16"	84	3'5/16"	84	3'5/16"	
K	47	1'27/32"	See standard	See standard	47	1'27/32"	See standard	See standard	47	1'27/32"	See standard	See standard	47	1'27/32"	See standard	47	1'27/32"	47	1'27/32"	47	1'27/32"	47	1'27/32"	
L standard	491	1'7'21/64"	856	2'9'45/64"	491	1'7'21/64"	856	2'9'45/64"	491	1'7'21/64"	856	2'9'45/64"	491	1'7'21/64"	856	2'9'45/64"	845	2'9'17/64"	845	2'9'17/64"	845	2'9'17/64"		
L mini	419	1'4'1/2"	784	2'6'55/64"	419	1'4'1/2"	784	2'6'55/64"	419	1'4'1/2"	784	2'6'55/64"	419	1'4'1/2"	784	2'6'55/64"	690	2'3'11/64"	690	2'3'11/64"	690	2'3'11/64"		
M	75	2'15/16"	See standard	See standard	75	2'15/16"	See standard	See standard	75	2'15/16"	See standard	See standard	75	2'15/16"	See standard	100	3'15/16"	100	3'15/16"	100	3'15/16"	100	3'15/16"	
N	23	29/32"	See standard	See standard	23	29/32"	See standard	See standard	23	29/32"	See standard	See standard	23	29/32"	See standard	23	29/32"	21	53/64"	21	53/64"	21	53/64"	
O standard	221	8'45/64"	See standard	See standard	221	8'45/64"	See standard	See standard	221	8'45/64"	See standard	See standard	221	8'45/64"	See standard	328	1'0'29/32"	328	1'0'29/32"	328	1'0'29/32"	328	1'0'29/32"	
O mini	149	5'55/64"	See standard	See standard	149	5'55/64"	See standard	See standard	149	5'55/64"	See standard	See standard	149	5'55/64"	See standard	173	6'13/16"	173	6'13/16"	173	6'13/16"	173	6'13/16"	
P standard	400	1'3'3/4"	See standard	See standard	400	1'3'3/4"	See standard	See standard	400	1'3'3/4"	See standard	See standard	400	1'3'3/4"	See standard	495	1'7'31/64"	495	1'7'31/64"	495	1'7'31/64"	495	1'7'31/64"	
P mini	328	1'0'29/32"	See standard	See standard	328	1'0'29/32"	See standard	See standard	328	1'0'29/32"	See standard	See standard	328	1'0'29/32"	See standard	340	1'1'25/64"	340	1'1'25/64"	340	1'1'25/64"	340	1'1'25/64"	
Q	310	1'0'13/64"	See standard	See standard	310	1'0'13/64"	See standard	See standard	310	1'0'13/64"	See standard	See standard	310	1'0'13/64"	See standard	315	1'0'13/32"	315	1'0'13/32"	315	1'0'13/32"	315	1'0'13/32"	
R1	134	5'9/32"	See standard	See standard	134	5'9/32"	See standard	See standard	134	5'9/32"	See standard	See standard	134	5'9/32"	See standard	150	5'29/32"	150	5'29/32"	150	5'29/32"	150	5'29/32"	
R2	94	3'45/64"	See standard	See standard	94	3'45/64"	See standard	See standard	94	3'45/64"	See standard	See standard	94	3'45/64"	See standard	100	3'15/16"	100	3'15/16"	100	3'15/16"	100	3'15/16"	
S1	62	2'7/16"	See standard	See standard	62	2'7/16"	See standard	See standard	62	2'7/16"	See standard	See standard	62	2'7/16"	See standard	75	2'61/64"	75	2'61/64"	75	2'61/64"	75	2'61/64"	
S2	182	7'11/64"	See standard	See standard	182	7'11/64"	See standard	See standard	182	7'11/64"	See standard	See standard	182	7'11/64"	See standard	197	7'3/4"	197	7'3/4"	197	7'3/4"	197	7'3/4"	
T max	40	1'37/64"	See standard	See standard	40	1'37/64"	See standard	See standard	40	1'37/64"	See standard	See standard	40	1'37/64"	See standard	50	1'31/32"	50	1'31/32"	50	1'31/32"	50	1'31/32"	
U standard	462	1'6'3/16"	See standard	See standard	462	1'6'3/16"	See standard	See standard	462	1'6'3/16"	See standard	See standard	462	1'6'3/16"	See standard	568	1'0'23/64"	568	1'0'23/64"	568	1'0'23/64"	568	1'0'23/64"	
U mini	390	1'3'23/64"	See standard	See standard	390	1'3'23/64"	See standard	See standard	390	1'3'23/64"	See standard	See standard	390	1'3'23/64"	See standard	413	1'4'17/64"	413	1'4'17/64"	413	1'4'17/64"	413	1'4'17/64"	
V	133	5'15/64"	See standard	See standard	133	5'15/64"	See standard	See standard	133	5'15/64"	See standard	See standard	133	5'15/64"	See standard	148	5'53/64"	148	5'53/64"	148	5'53/64"	148	5'53/64"	
W	94	3'45/64"	See standard	See standard	94	3'45/64"	See standard	See standard	94	3'45/64"	See standard	See standard	94	3'45/64"	See standard	114	4'31/64"	114	4'31/64"	114	4'31/64"	114	4'31/64"	
X	61	2'13/32"	See standard	See standard	61	2'13/32"	See standard	See standard	61	2'13/32"	See standard	See standard	61	2'13/32"	See standard	73	2'7/8"	73	2'7/8"	73	2'7/8"	73	2'7/8"	
Y	42	1'21/32"	See standard	See standard	42	1'21/32"	See standard	See standard	42	1'21/32"	See standard	See standard	42	1'21/32"	See standard	48	1'57/64"	48	1'57/64"	52	2'3/64"	52	2'3/64"	
Z standard	16485	54'1'13/32"	16850	55'3'25/64"	14485	47'6'9/32"	14850	48'8'41/64"	18485	60'7'3/4"	18850	61'10'1/8"	16485	54'1'13/32"	16850	55'3'25/64"	18813	61'8'43/64"	18813	61'8'43/64"	22813	74'10'5/32"	22813	74'10'5/32"
Z mini	16413	53'10'3/16"	16778	55'0'35/64"	14413	47'3'7/16"	14778	48'5'13/16"	18413	60'4'59/64"	18778	61'7'19/64"	16413	53'10'3/16"	16778	55'0'35/64"	18658	61'2'9/16"	18658	61'2'9/16"	22658	74'4'3/64"	22658	74'4'3/64"

DIMENSIONS – MOTORISED FURLING SYSTEMS

**NDE - NDH 420 / 430:
standard fitting**

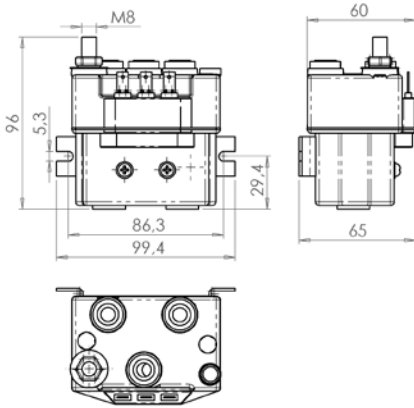


**NDE - NDH 480 / 520 / 530:
fitting with turnbuckle
cylinder**

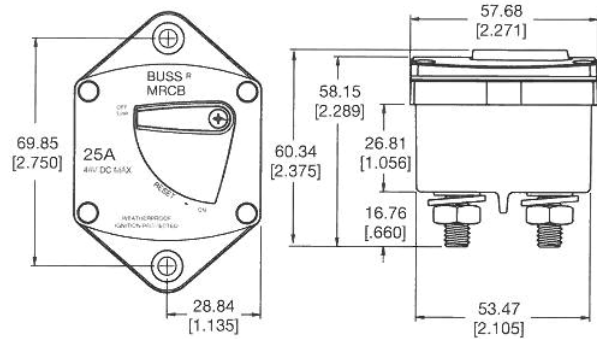


TECHNICAL DATA: MOTORISED FURLING SYSTEMS

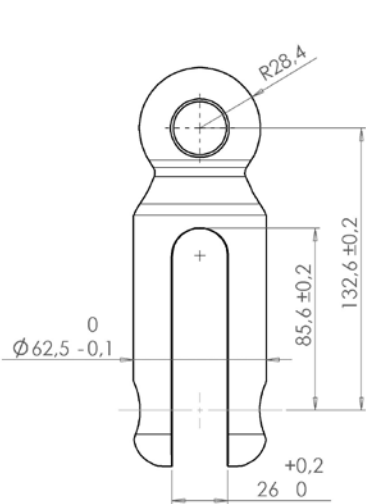
Contactor unit



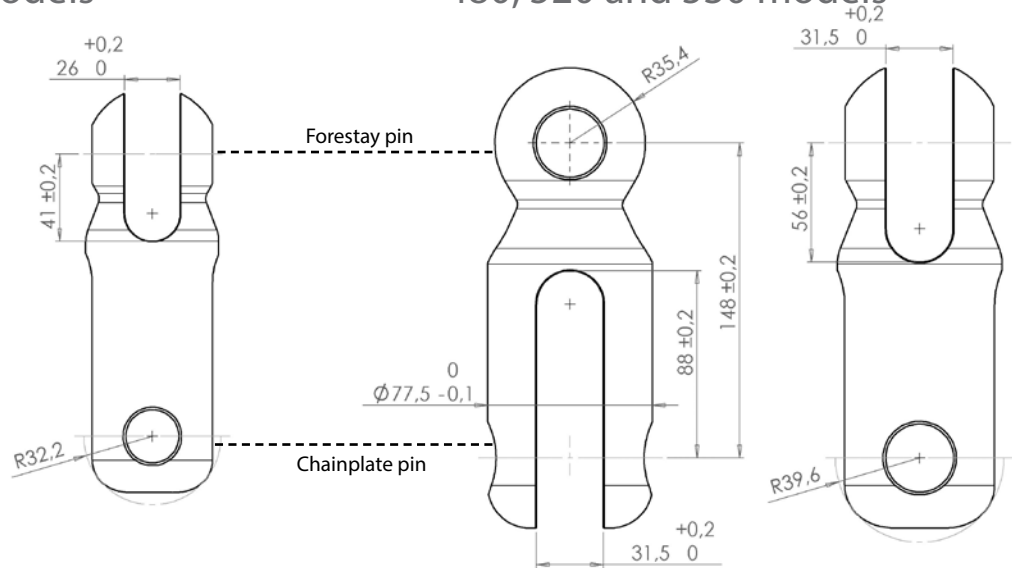
Circuit breaker



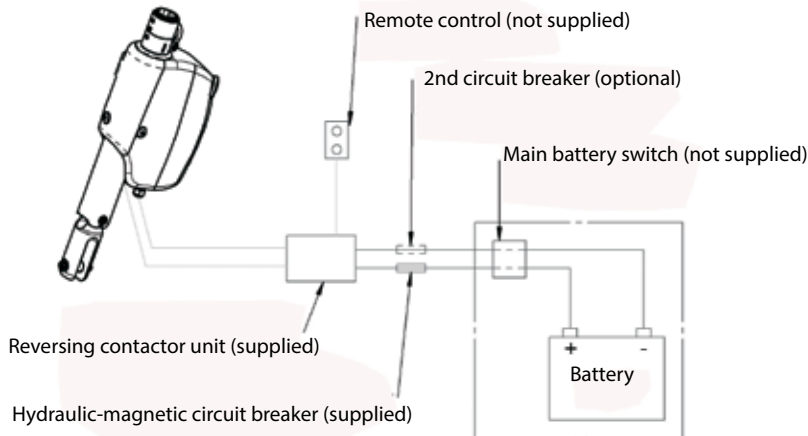
Dimensions of the toggle for 420 and 430 models



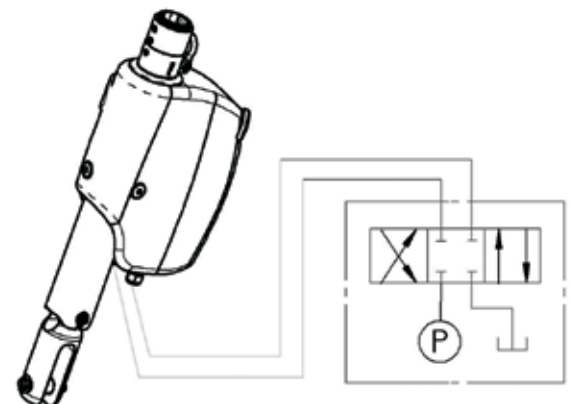
Dimensions of the toggle for 480, 520 and 530 models



Wiring diagram for electric systems



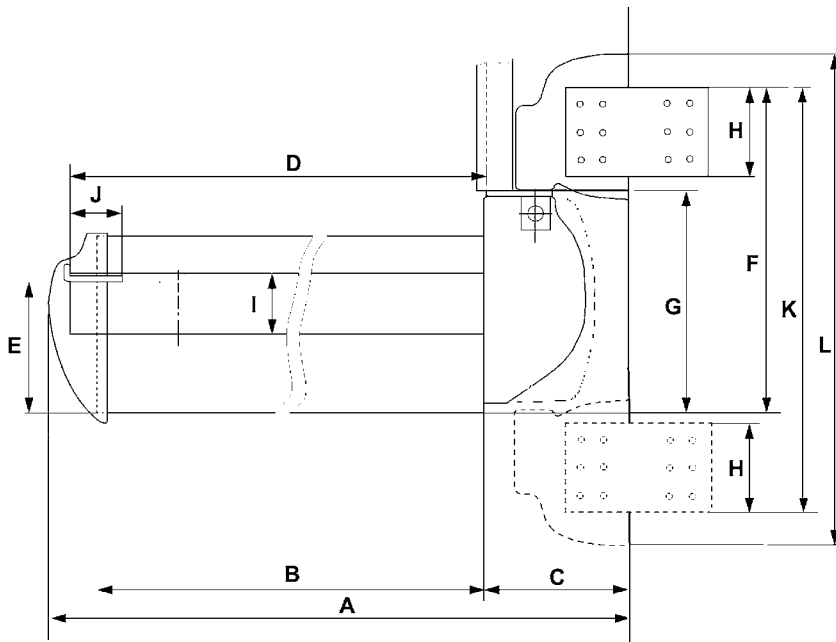
Wiring diagram for hydraulic systems



WEIGHT OF COMPONENTS: MOTORISED SYSTEMS

	NDEC / NDHC 420 430	NDEC / NDHC 480 520 530
Gear motor only	14 Kg	15 Kg
Lower SS tube & toggle	5,51 Kg	9,63 Kg
Standard swivel	1,1 Kg	2,58 Kg
Swivel	1,58 Kg	3,07 Kg
Extrusions incl connectors & bearings	1,09 Kg/m	1,62 Kg

SPECIFICATIONS OF THE MK4 IN-BOOM FURLER



Dimensions in mm (ft)	Dimensions of boom sections in mm (ft)	Boom inside diameter in mm (ft)	Mandrel diameter in mm (ft)	Weight Kg/m (Lb / ft)		Standard boom vang pin to pin in mm (ft) open / closed
				Boom section	Mandrel	
MK4	400 x 305 (1'3 3/4" x 1'1/64")	300 (11 13/16")	101 (3 31/32")	13,43 (9,01)	2,63 (1,75)	2100 / 1970 (6'10 43/64" x 6'5 1/2")

Sailmakers information	Finished luff tape diameter in mm (ft)	Finished foot tape diameter in mm	Available boom profiles lengths in m (ft)	Corresponding max foot length in m (ft)	Max full length in m (ft)	Boom perimeter in mm (inch) for mainsail cover
MK4	7 (9/32")	8 (5/16")	7,3	7 (22' 11 19/32")	21 (68' 10 3/4")	1170 (3' 10 1/16")

Model in mm (ins)	A	B	C	D	E	F	G	H	I	J	K	L
MK4	7632 max (25' 30/64" max)	7300 max (23' 11 3/8")	232 (9 1/8")	7348 max (24' 1 19/64" max)	322 (12 5/8")	535 (1'9 1/16")	401 (1'3 25/32")	103 (4 1/16")	101 (3 31/32")	175 (6 57/64")	645 (2' 1 3/8")	668 (2' 2")

PROFURL DISTRIBUTORS PER COUNTRY

Country	Name	Zip code	Town	Area code	Phone	E-mail
Australia	Wichard Pacific Pty Ltd	NSW 2044	St Peters	61	295 160 677	info@wichard.com.au
Azores	Boat & Sailservice	9500-771	Sao Miguel	351	963925707	boatsailservice@gmx.net
Azores	Mid Atlantic Yacht Services	9900-114	Horta	351	292 391 616	mays@mail.telepac.pt
Belgium	Wichard-Profurl Benelux	3280 AA	Numansdorp	31	(0)6 53 668862	sbarzilay@wichard.com
Belgium	Elvstrom Sails Benelux	2000	Antwerpen	32	0 495707870	info@elvstromsails.be
Belgium	Plaisance Diffusion	1030	Bruxelles	32	0 2 216 79 34	info@plaisance.be
Belgium	Technique Voile	4432	Alleur	32	0 42 63 4041	info@technique-voile.be
Belgium	The Nautic Store	8620	Nieuwpoort	32	0 58 58 58 00	info@nauticstore.be
Belgium	West Diep Yachting Center	8620	Nieuwpoort	32	0 58 23 40 61	info@westdiep.com
Belgium	Wittevrongel Sails & Rigging	8370	Blankenberge	32	0 50 41 18 63	info@wittevrongel.be
Brazil	Bruschetta Supply	22.290250	Rio De Janeiro	55	2 194 003 660	contato@bruschetta-supply.com.br
Canada	WPG Canada	J0B 3G0	Stoke (Québec)	1	819 878 30 18	info@wichard.ca
Canary islands	Nordest	38370	La Matanza Tenerife	34	922 577 322	nordest@nordest-canarias.com
Chile	Oceanic Chile		Santiago	562	244 20 20	contacto@oceanic.cl
China	Sunrise Marineware Ltd		Shenzhen	86	755 866 50 101	sales@sunrisemw.com
Croatia	Aspar Rigging	51211	Matulji	385	51 343 230	aspar-rigging@ri.t-com.hr
Croatia	Ramina Pomorstvo	21000	Split	385	2139 82 33	ramina-pomorstvo@st.t-com.hr
Denmark	Hansen & Hamacher	6580	Vamdrup	45	75 58 10 64	hh@hansenoghamacher.dk
Dutch Caribbean	Budget Marine St Martin		Philipsburg	1	5 995 443 134	stmaarten@budgetmarine.com
Dutch Caribbean	FKG Marine St Martin		Philipsburg	599	544 47 33	info@fkg-marine-rigging.com
Finland	Oy Maritim AB	00210	Helsinki	358	10 27 40 320	maritim@maritim.fi
France	Wichard S.A.S	63300	Thiers	33	(0)4 73 51 65 00	marine@wichard.com
French Polynesia	Tahiti Sport / Nauti Sport	98713	Papeete	689	50 59 59	tahiti.sport@tahiti-sport.pf
Germany	Pfeiffer Marine GmbH	78345	Moss am Bondesee	49	07732 9950 32	info@pfeiffer-marine.de
Gibraltar	H. Sheppard & Co. Ltd.		Gibraltar	350	77 183	info@sheppard.gi
Greece	Nautilus	17455	Alimos / Athens	30	210 98 54 238	info@nautilus.gr
Greece	A.Andreou & Co	Tk 18346	Athens	30	210 48 28 452	info@aandreou.gr
Grenada	Turbulence Ltd Grenada		Prickly bay	473	439 44 95	turbsail@spiceisle.com
Guadeloupe	Caraibe Greement Guadeloupe	97110	Pointe À Pitre	590	90 82 01	caraibegreement@hotmail.com
Hong Kong	Storm Force Marine Ltd		Wanchai	852	28 660 114	sales@stormforcemarine.com
Hungaria	Fuke Yachts (Hullam 04)	8220	Balatonalmedi	36	884 328 97	info@fukeyacht.hu
Israel	Atlantis Marine	63453 25	Tel Aviv	972	(03) 522 7978	atlantis@inter.net.il
Italy	C-Marine S.r.l	19030	Bocca Di Magra - Sp	39	0187 67 08 28	info@cmarine.it
Japan	Cosmos Marine Ltd	556-0023	Osaka	81	665 672 397	cosmarin@pure.ne.jp
Japan	Marine Service Kojima	238-0225	Knagawa	81	457 903 581	kojima@msojima.co.jp
Malta	Nautica	GZR 03	Gzira	356	213 451 39	info@nautica.com.mt
Martinique	Caraibe Marine	97290	Le Marin	596	74 80 33	cgmar@wanadoo.fr
Netherlands	Wichard-Profurl Benelux	3280 AA	Numansdorp	31	(0)6 53 668862	sbarzilay@wichard.com
New Caledonia	Marine Corail	98800	Nouméa	687	27 58 48	info@marine-corail.nc
New Caledonia	Pacific Accastillage	98845	Nouméa	687	78 78 46	pacifcaccastillage@gmail.com
New Zealand	Kiwi Yachting	90114	Auckland	64	9 36 00 30 0	sales@kiwiyachting.co.nz
Norway	Hovdan-Poly	0668	Oslo	47	23 14 12 60	post@hovdan.no
Poland	Majer	03-179	Varsovie	48	855 577 333	biuro@majermarine.pl
Portugal	Lisnautica Lda	1300-340	Lisbon	351	21 36 39 084	lisnautica@iol.pt
Portugal	Just Boats Lda	8100-263	Loule	351	281 971 179	info@just-boats.net
Portugal	Blaus 3 Sailing Services	8100-068	Boliquime	351	916 267 103	info@blaus.pt
Réunion Island	La voilerie du port	97420	Le Port	33	(0)6 92 21 76 69	voilerieduport@hotmail.com
Russia	Fordewind-Regatta	197110	Saint Petersburg	7	8 123 201 853	info@fordewind.spb.ru
Saint Martin	Yacht Rigging St Martin	97150	Saint Martin	590	29 52 52	mustyachtrigging@domaccess.com
Singapore	Intermarine Supply	639078	Jurong	65	686 33 966	ropes@intermarine.com.sg
Slovenia	Skipper Portoroz	6320	Portoroz	386	5 67 770 11	skipper@siol.net
South Africa	Zenith International	7435	Cape Town	27	215 553 470	profurl@mweb.co.za
Spain	Pertrechos Nauticos	8022	Barcelona	34	9 341 86 632	profurl@pertrechosnauticos.com
Spain	YangBela Technic Sail S.L.	20280	Hondarribia	34	9 436 44 459	eduardo@yangbela.com
Sweden	Liros Skandinavia AB	42750	Billdal	46	3191 52 00	info@lirosropes.se
Switzerland	Megroz Voiles	1070	Puidoux	41	21 946 49 49	pm@fragniere-megroz.ch
Switzerland	MW Matelotage	1252	Meinier	41	79 203 41 11	denis.menetrey@mwmatelotage.ch

Taiwan	Storm Force Marine Ltd		Wanchai	852	28 660 114	sales@stormforcemarine.com
Thailand	Sail in Siam Co Ltd	20250	Chonburi	66	818 375 507	info@sailinsiam.com
Trinidad and Tobago	Budget Marine Trinidad Ltd		Chaguaramas	1	868-634-2006	trinidad@budgetmarine.com
Turkey	Prima Deniz	34728	Istanbul	90	216 355 22 40	kayayelken@superonline.com
United Arab Emirates	Duboats	53793	Dubai	971	4 399 45 54	c.vanek@duboats.com
United Kingdom	Proboat Ltd	CM0 8TE	Burnham-On-Crouch	44	1 621 78 54 55	sales@proboat.co.uk
Uruguay	Kraen Sa	70.000	Colonia	598	52-23814	kraen@adinet.com.uy
USA	Wichard, Inc.	NC 28206	Charlotte	1	4 016 835 055	info@wichard-usa.com
Vietnam	Corsair Marine International	70880	Ho Chi Minh City	84	838 733 620	info@corsairmarine.com

CONTACTS BY PROFURL

WICHARD S.A.S

1, ZI de Felet - CS 50085
63307 Thiers Cedex
France
Tel +33 (0)4 73 51 65 00
Fax +33 (0)4 73 80 62 81
E-mail : marine@wichard.com

Hotline / Support technique / SAV

Z.A Pornichet Atlantique
16 av du Gulf Stream
44380 Pornichet - France
Tel +33 (0)2 51 76 00 35
Fax +33 (0)2 40 01 40 43
E-mail : hotline@wichard.com

WICHARD, Inc.

North America
3901 Pine Grove Circle
Charlotte, NC 28206
Tel: +1 (401) 683-5055
Fax: +1 (802) 655-4689
E-mail: info@wichard-usa.com

WICHARD Pacific Pty Ltd

PO Box 104 St Peters NSW 2044
Australia
Phone: +61 2 9516 0677
Fax: +61 2 9516 0688
E-mail: info@wichard.com.au

www.profurl.com



They sail with Profurl !



World Match Racing Tour
M32 catamaran



Round the world as a family,
Sarah and Aurélien



2017 Mini Transat -
proto série - Ian Lipinski



Southern hemisphere expeditions -
Stephen Watkins

Profurl

www.profurl.com