

# ***LALIZAS***

*Simply life saving*



**MARITIME SAFETY CATALOGUE**

# INFLATABLE LIFEJACKETS PRODUCED IN GREECE



**QUALITY**



**CONSISTENCY**



- 2 - 6** ■ **Liferafts & Accessories**
- 7 - 17** ■ **Lifejackets & Accessories**
- 18 - 21** ■ **Lifebuoy Rings, Lights & Accessories**
- 22 - 23** ■ **Immersion Suits**
- 24 - 26** ■ **Breathing Devices & Fire-Fighting Equipment**
- 27** ■ **Inflatable Deep Tank Check Boats**
- 28 - 31** ■ **Navigation & Lifeboat Equipment**
- 32 - 33** ■ **IMO Signs & Tapes**
- 36 - 39** ■ **Service Network & After Sales Support**





## LALIZAS Liferaft SOLAS OCEANO

### Throw Overboard Type

SOLAS Approved by Germanischer Lloyds

- For use on board commercial vessels engaged on international voyages
- Equipment Packs: SOLAS Pack A or SOLAS Pack B
- Available Capacities: from 6 to 35 Persons
- Flat Canister option available (Capacities from 8 to 12 Persons)
- GRP Canister
- Durable Rubber Fabric
- Double Chambered Tubes
- Stowage Height up to 36m (Painter line up to 46m)
- Insulated Floor for low temperature conditions
- High Visibility Canopy with SOLAS reflective tapes
- Fully operational at temperatures from -30°C up to +65°C
- Global Service Stations Network
- **Supplied with Deck Cradle in wooden box**



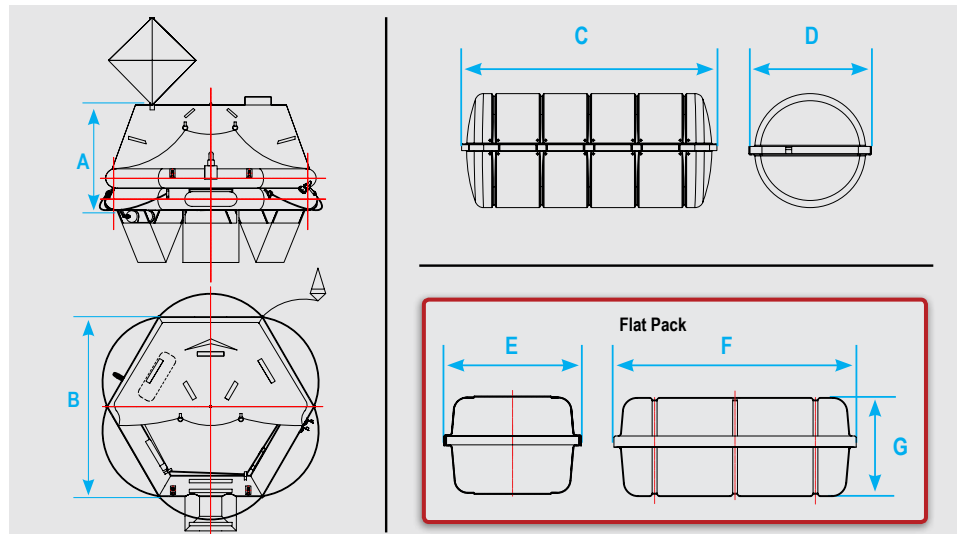
**LALIZAS**   
**OCEANO**



0098



6, 8, 10, 12 & 15 Persons

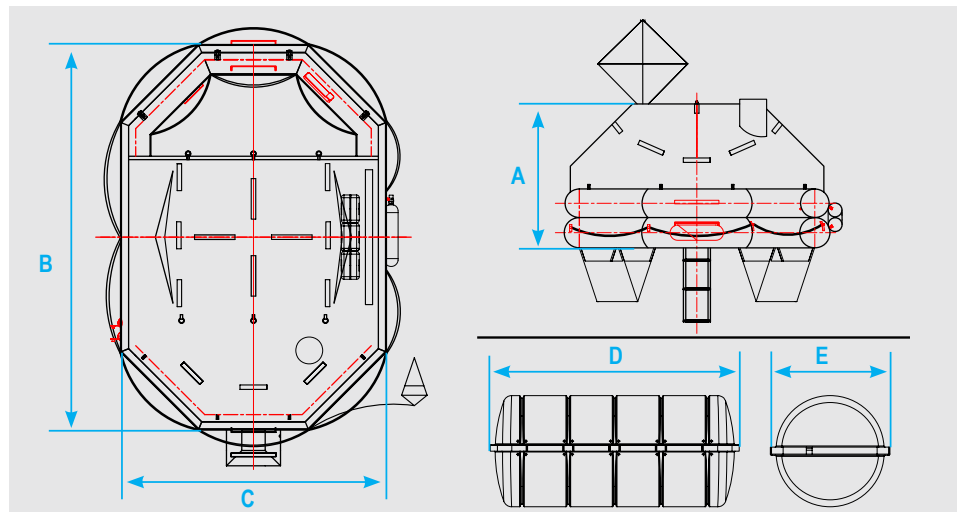


**NEW**

**NEW**

Code	Persons	Pack	Dimensions (mm)							Cradle included Dimensions (mm)	
			A	B	C	D	E	F	G		
79867	6	A	1200	2104	1090	615	-	-	-	600 x 560	
79903		B			1045	545	-	-	-		
79868	8	A	1250	2390	1090	615	-	-	-		
79880		Flat - A			-	-	564	994	405		
79904	B	1045	545	-	-	-					
79869	10	A	1400	2694	1230	630	-	-	-		
79905		B			1090	615	-	-	-		
79870	12	A	1500	2924	1230	630	-	-	-		
79882		Flat - A			-	-	664	1044	405		
79906	B	1090	615	-	-	-					
79871	15	A	1600	3238	1285	670	-	-	-		600 x 660
79907		B			1230	630	-	-	-		600 x 560

20, 25, 30 & 35 Persons



Code	Persons	Pack	Dimensions (mm)					Cradle included Dimensions (mm)
			A	B	C	D	E	
79873	20	A	1600	4304	2974	1335	696	600 x 660
79909		B				1285	670	
79874	25	A	1650	4894	3194	1490	757	1000 x 710
79910		B				1335	696	600 x 660
79875	30	A	1700	5384	3414	1700	765	1000 x 710
79911		B				1490	757	
79876	35	A	1750	5899	3568	1700	765	
79912		B				1490	757	



## LALIZAS Liferaft SOLAS OCEANO

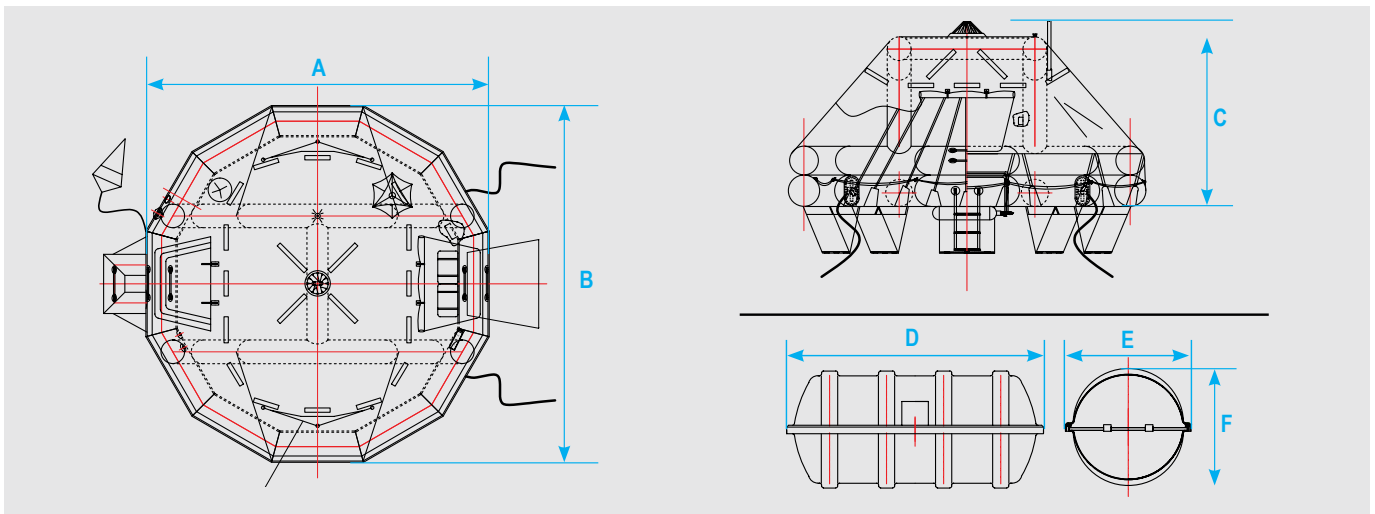
### Davit-Launched Type

SOLAS Approved by Germanischer Lloyds



- For use on all kinds of vessels, providing safe evacuation from the vessel's deck
- Equipment Packs: SOLAS Pack A or SOLAS Pack B
- Available Capacities: from 15 to 25 Persons
- GRP Canister
- Durable Rubber Fabric
- Double Chambered Tubes
- Stowage Height up to 18m (Painter line up to 28m)
- Insulated Floor for low temperature conditions
- High Visibility Canopy with SOLAS reflective tapes
- Fully operational at temperatures from -30°C up to +65°C
- Global Service Stations Network

### 15, 20 & 25 Persons



Code	Persons	Pack	Dimensions (mm)						Cradle Dimensions (mm)
			A	B	C	D	E	F	
79883	15	A	3220	3310	1550	1350	700	660	600 x 560
79887		B				1285	670	575	
79885	20	A	3715	3815	1850	1470	750	710	600 x 660
79888		B				1350	700	660	600 x 560
79886	25	A	4065	4225	2000	1680	770	710	600 x 660
79889		B				1470	750	710	



**LALIZAS Liferaft OCEANO**

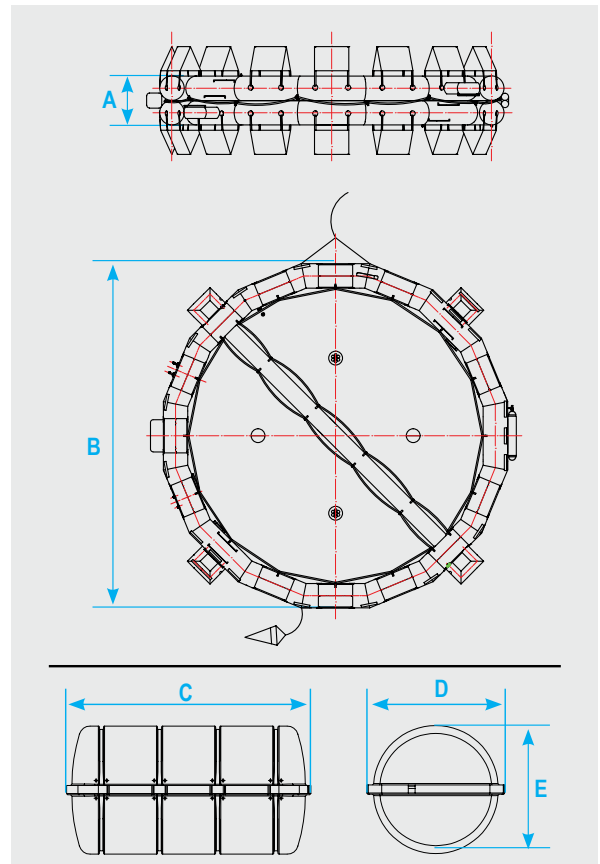
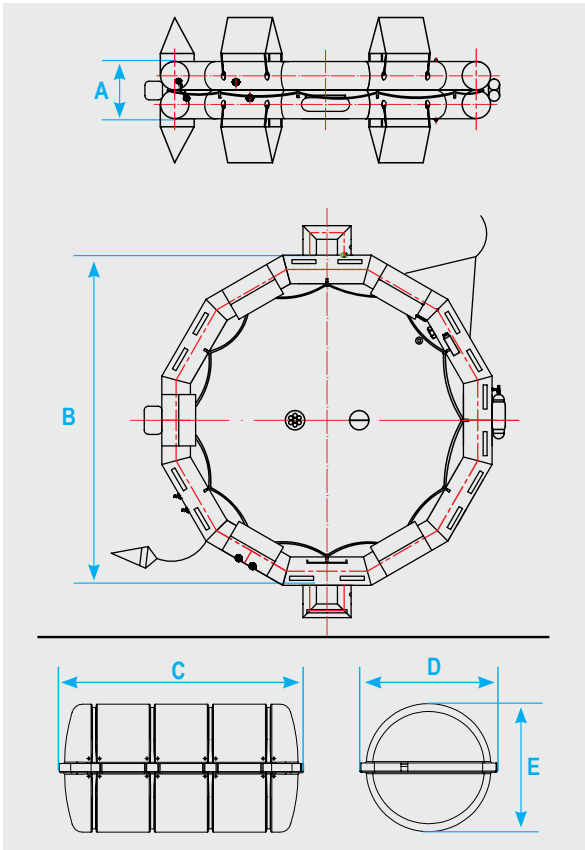
**Open Reversible Type**



- Ideal for passenger ships operating in coastal or inland waters
- Equipment Pack: HSC Pack
- Available Capacities: from 25 to 65 Persons
- GRP Canister
- Durable Rubber Fabric
- Double Chambered Tubes
- Stowage Height up to 10m (Painter line up to 20m)
- Fully operational at temperatures from -18°C up to +65°C
- Global Service Stations Network

**25 & 30 Persons**

**50 & 65 Persons**



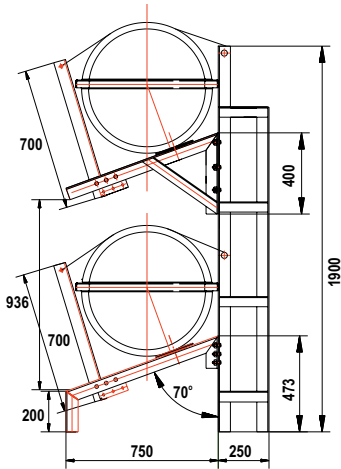
Code	Persons	Pack	Dimensions (mm)					Cradle Dimensions (mm)
			A	B	C	D	E	
79898	25	HSC	712	4114	1230	630	550	600 x 560
79899	30		746	4474	1285	670	575	

Code	Persons	Pack	Dimensions (mm)					Cradle Dimensions (mm)
			A	B	C	D	E	
79900	50	HSC	854	5680	1490	757	678	600 x 660
79901	65		914	6434	1490	757	678	

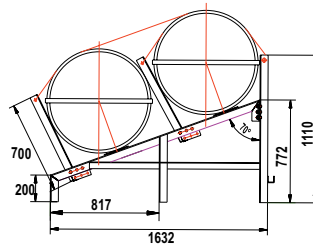
Code.....72119

**NEW**

## Vertical Cradle for SOLAS OCEANO, 2-tier, 6-25(A), 6-35(B)



Dimensions are in mm



**NEW**

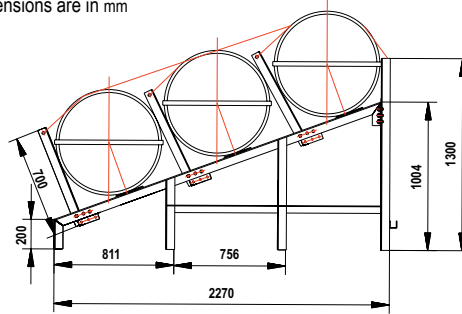
Code.....72136

## Cradle for SOLAS OCEANO, 2-tier, 30-35(A)

Code.....72120

**NEW**

## Cradle for SOLAS OCEANO, 3-tier, 6-25(A), 6-35(B)



Code.....70290

## HAMMAR H20 Hydrostatic Release for Liferafts (USCG & SOLAS/MED Approved)

- Simple to install
- No spare parts or service required
- Must be replaced two years after installation



Code.....71892

## Lashing with Hook (Big)

- Suitable for :**
- All Hydrostatic Release Units
  - OCEANO Life Raft Capacities

List of Equipment:	Amount	
	SOLAS Pack A	SOLAS Pack B
Portable buoyant bailer	"(Up to 12 persons) 1 pc (More than 12 persons) 2 pcs."	"(Up to 12 persons) 1 pc (More than 12 persons) 2 pcs."
Sponge	2	2
Buoyant paddles	2	2
Whistle	1	1
Waterproof torch (with separate battery and bulb)	1	1
Signalling mirror	1	1
Anti-seasickness pills, per person	6	6
Seasickness bag, per person	1	1
Red hand flares	6	3
Red parachute flares	4	2
Repair kit	1	1
Bellow	1	1
Operational manual	1	1
Survival at sea - Instruction Manual	1	1
Table of the life-saving signals	1	1
Log Book	1	1
First-aid kit	1	1
Orange Smoke Signals	2	1
Food ration, per person	10000kJ	-
Fresh water, per person	1,5L	-
Sea-anchor	2	2
Tin opener	3	-
Fishing tackle	1	1
Radar reflector	1	1
Thermal protective aids	2	2
Drinking cup	1	-
Buoyant rescue quoit	1	1
Safety Knife	"(Up to 12 persons) 1 pc (More than 12 persons) 2 pcs."	"(Up to 12 persons) 1 pc (More than 12 persons) 2 pcs."





SOLAS lifejackets



1463

LALIZAS Lifejacket Lamda Auto, SOLAS 150N & 275N

SPECIFICATIONS	LALIZAS LAMDA SOLAS	
	71107	71216
CODE	71107	71216
AVERAGE ACTUAL BUOYANCY	180+ Nt	295+ Nt
SOLAS TESTING STANDARDS	MSC 201 (81), MSC 207 (81), MSC 200 (80), MSC 226 (82) & MSC 323 (89)	
INFLATED CHAMBERS	DOUBLE	
INFLATED MECHANISMS	2 x AUTOMATIC/MANUAL	
CO <sub>2</sub> CYLINDERS	2 x 33 gr	2 x 60 gr
PRESSURE RELIEF VALVE	YES	
TURNING TIME minimum	< 5 sec	
INDIVIDUAL FABRIC COVER	Four Tailored Pieces	
FABRIC MATERIAL	Soft PVC	
BELT MATERIAL	Top Quality	
LIFTING LOOP	Yellow	
BUDDY LINE	YES	
"EASY ACCESS" WHISTLE & LIFEJACKET LIGHT POSITION	YES	
EASY-WEAR & PRECISE FIT DESIGN	YES	
USER INSTRUCTIONS IMPRINT	YES	
RAW MATERIALS TESTED ACCORDING TO	ISO:12402-7, ISO:12402-8	
DONNING INSTRUCTIONS (Code)	831579	
SERVICE INTERVALS	Annual	



Front



Back



## LALIZAS Lifejacket Lamda Auto, SOLAS 330N



SPECIFICATIONS	LALIZAS LAMDA SOLAS	
	72114	72115
CODE	72114	72115
AVERAGE ACTUAL BUOYANCY	335 Nt	
SOLAS TESTING STANDARDS	MSC 201 (81), MSC 207 (81), MSC 200 (80), MSC 226 (82), MSC 323 (89) & MSC 368 (93)	
HSE APPROVAL	YES	
INFLATED CHAMBERS	DOUBLE	
INFLATED MECHANISMS	2 x AUTOMATIC/MANUAL	
CO <sub>2</sub> CYLINDERS	2 x 60 gr	
PRESSURE RELIEF VALVE	YES	
TURNING TIME minimum	<5 sec	
INDIVIDUAL FABRIC COVER	Four Tailored Pieces	
FABRIC MATERIAL	Soft PVC	
BELT MATERIAL	Top Quality	
CROTCH STRAP	YES	
SPRAYHOOD	NO	YES
LIFTING LOOP	YES	
BUDDY LINE	YES	
"EASY ACCESS" WHISTLE & LIFEJACKET LIGHT POSITION	YES	
EASY-WEAR & PRECISE FIT DESIGN	YES	
USER INSTRUCTIONS IMPRINT	YES	
RAW MATERIALS TESTED ACCORDING TO	ISO:12402-7, ISO:12402-8	
SERVICE INTERVALS	Annual	



1463



Spray Hood  
ISO 12402-8





1463



**Lifejacket Belt-Pack, Delta Auto 150N, SOLAS**

**SPECIFICATIONS**

**LALIZAS DELTA SOLAS**

SPECIFICATIONS	LALIZAS DELTA SOLAS
CODE	71108
AVERAGE ACTUAL BUOYANCY	180+ Nt
SOLAS TESTING STANDARDS	MSC 201 (81), MSC 207 (81), MSC 200 (80), MSC 226 (82) & MSC 323 (89)
INFLATED CHAMBERS	DOUBLE
INFLATED MECHANISMS	2 x AUTOMATIC/MANUAL
CO <sub>2</sub> CYLINDERS	2 x 33 gr
PRESSURE RELIEF VALVE	YES
TURNING TIME minimum	< 5 sec
FABRIC MATERIAL	Nylon Valice
BELT MATERIAL	Top Quality
LIFTING LOOP	Yellow
BUDDY LINE	YES
"EASY ACCESS" WHISTLE & LIFEJACKET LIGHT POSITION	YES
EASY-WEAR & PRECISE FIT DESIGN	YES
USER INSTRUCTIONS IMPRINT	YES
RAW MATERIALS TESTED ACCORDING TO	ISO:12402-7, ISO:12402-8
DONNING INSTRUCTIONS (Code)	831580
SERVICE INTERVALS	Annual

**SOLAS/MED & CANADIAN APPROVED FOAM LIFEJACKETS COLLECTION**

All raw materials and Accessories of the lifejacket are tested and approved per SOLAS/MED requirements



0098



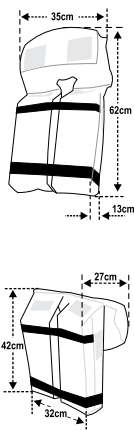
CANADIAN APPROVAL



SOLAS CERTIFICATION	SOLAS 74, as amended by IMO Resolution MSC. 201 (81), MSC. 216 (82), L.S.A. Code as amended by, 207 (81), 218 (82); and MSC. 81 (70), MSC. 200 (80), MSC. 226 (82), MSC. 323 (89), MSC. 368 (93) & MSC. 378 (93)
CANADIAN CERTIFICATION	Canadian Standards TP 14612, Approval Procedures for Life Saving Appliances and Fire Safety Systems, Equipment and Products and TP 14475, Canadian Life Saving Appliance Standard. Can be placed onboard Canadian vessels

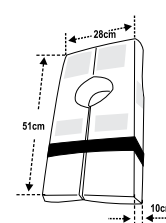
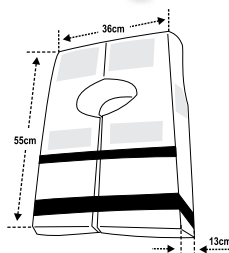
## Advanced Folding Lifejacket SOLAS- (LSA Code) 2010

SPECIFICATIONS	Advanced 2010 ADULT FOLDING
CODE	<b>70179</b>
BUOYANCY	194 Nt
BODY WEIGHT	up to 140 kg*
AVERAGE TURNING TIME	1,4 sec
RETRO-REFLECTIVE TAPE	400 cm <sup>2</sup>
LIFTING LOOP	YES
BUDDY LINE	YES
WHISTLE	YES
STORAGE TEMP	-30°C up to +65°C
DONNING INSTRUCTIONS (Code)	831571



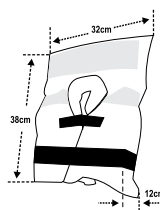
## Advanced Lifejacket SOLAS-(LSA Code) 2010

SPECIFICATIONS	Advanced 2010 ADULT	Advanced 2010 CHILD
CODE	<b>70178</b>	<b>70177</b>
BUOYANCY	203 Nt	93 Nt
BODY WEIGHT	up to 140 kg*	from 15 to 43 kg
AVERAGE TURNING TIME	1,4 sec	
RETRO-REFLECTIVE TAPE	400 cm <sup>2</sup>	
LIFTING LOOP	YES	
BUDDY LINE	YES	
WHISTLE	YES	
STORAGE TEMP	-30°C up to +65°C	
DONNING INSTRUCTIONS (Code)	831570	



## Advanced Infant Lifejacket SOLAS-(LSA Code) 2010

SPECIFICATIONS	Advanced 2010 INFANT
CODE	<b>70176</b>
BUOYANCY	77 Nt
BODY WEIGHT	up to 15 kg
AVERAGE TURNING TIME	1,4 sec
RETRO-REFLECTIVE TAPE	400 cm <sup>2</sup>
LIFTING LOOP	YES
BUDDY LINE	YES
WHISTLE	YES
STORAGE TEMP	-30°C up to +65°C
DONNING INSTRUCTIONS (Code)	831569



\* Codes 70178 & 70179 are designed to fit persons weighing up to 140 kg, with a chest girth up to 1750 mm

SOLAS CERTIFICATION

SOLAS 74, as amended by IMO Resolution MSC. 201 (81), MSC. 216 (82), L.S.A. Code as amended by, 207 (81), 218 (82); and MSC. 81 (70), MSC. 200 (80), MSC. 226 (82), MSC. 323 (89), MSC. 368 (93) & MSC. 378 (93)

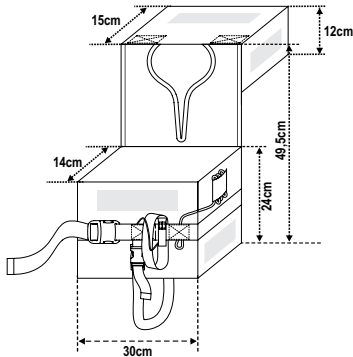
**NEW**

**Compact Folding Lifejacket SOLAS LSA Code 2016**

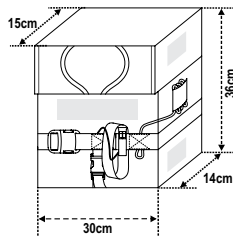
**SPECIFICATIONS**

CODE	<b>72214</b>
BUOYANCY	146 Nt
BODY WEIGHT	over 43 up to 140 kg
AVERAGE TURNING TIME	1,8 sec
RETRO-REFLECTIVE TAPE	400 cm <sup>2</sup>
LIFTING LOOP	YES
BUDDY LINE	YES
WHISTLE	YES
STORAGE TEMP	-30°C up to +65°C

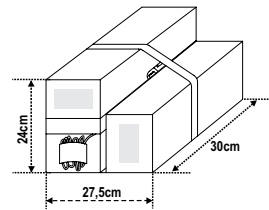
**Compact 2016  
ADULT**



**Folding Options**



1



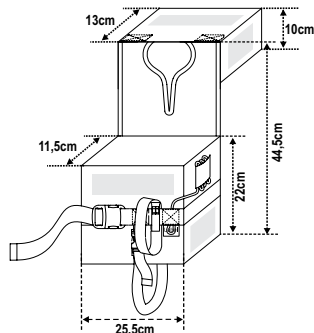
2



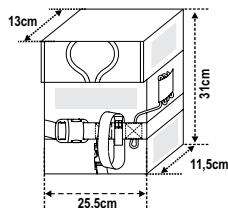
**SPECIFICATIONS**

CODE	<b>72215</b>
BUOYANCY	88 Nt
BODY WEIGHT	over 15 up to 43 kg
AVERAGE TURNING TIME	1,5 sec
RETRO-REFLECTIVE TAPE	400 cm <sup>2</sup>
LIFTING LOOP	YES
BUDDY LINE	YES
WHISTLE	YES
STORAGE TEMP	-30°C up to +65°C

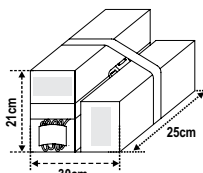
**Compact 2016  
CHILD**



**Folding Options**



1



2





0098

Code.....71209

## Lifejacket LED Flashing Light “Safelite II” water activated ON-OFF, L.S.A.Code

**- Water-Activated LED Flashlight Technology**

Extra powerful LED light. Offers lower consumption and longer life and operates automatically when it comes in contact with water.

**- Durable Plastic Body**

100% Waterproof via ultrasound welding & epoxy resin for extra safety.

**- Lithium Battery**

Ensures 5 year lifetime and more than 8 hours of continuous operation.

**- Universal Size Clamp**

Fits & locks easily in two moves with every 20 - 40 cm lifejacket belt, providing security & stability against sudden moves of panic

**- Inspection Friendly Label**

Easy to read label for instant inspection.



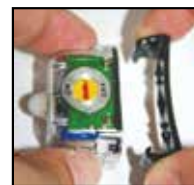
Code.....71215

### Hole Puncher For 71209



Code.....71214

### Base for Lifejacket Flashing Light 71209





**Inflatable Lifejackets Sigma 170N, CE ISO 12402-3**

**SPECIFICATIONS**

CODE	LALIZAS SIGMA ISO		
	71094	71096	71097
BUOYANCY CHAMBER	150Nt		
PRODUCT CERTIFICATES	ISO 12402-3/2006		
TURNING TIME minimum	< 5 sec		
INDIVIDUAL FABRIC COVER	Five Tailored Pieces		
BELT MATERIAL	Top Quality		
INFLATION	Automatic	Automatic	Manual
ACCESSORIES	Harness & D-Ring	-	-
LIFTING LOOP	Yellow		
"EASY ACCESS" WHISTLE & LIFEJACKET LIGHT POSITION	YES		
EASY-WEAR & PRECISE FIT DESIGN	YES		
USER INSTRUCTIONS FRONT IMPRINT	YES		
RAW MATERIALS TESTED ACCORDING TO	ISO:12402-7, ISO:12402-8		

**Sigma Lifejackets feature the following characteristics:**

- CE ISO 12402-3 approval
- Ultra reliable inflator mechanism
- Compatible with all major suppliers CO<sub>2</sub> bottles
- Commercial heavy duty protective outer cover
- Easy re-packing
- Economical re-arming kits
- 170 Newtons of buoyancy when fully inflated
- Auto inflator designed with improved splash resistance
- Maintain the correct flotation position in the water (face-up)
- Fully adjustable straps
- Heavy-Duty, Stainless D-Rings for attachment of a safety line



Front



**SPECIFICATIONS**

CODE	LALIZAS SIGMA ISO
	72081
BUOYANCY CHAMBER	150Nt
PRODUCT CERTIFICATES	ISO 12402-3/2006
TURNING TIME minimum	< 5 sec
INDIVIDUAL FABRIC COVER	Five Tailored Pieces
BELT MATERIAL	Top Quality
INFLATION	Automatic
ACCESSORIES	Clip Crotch Strap, Harness & D-Ring
LIFTING LOOP	Yellow
"EASY ACCESS" WHISTLE & LIFEJACKET LIGHT POSITION	YES
EASY-WEAR & PRECISE FIT DESIGN	YES
USER INSTRUCTIONS FRONT IMPRINT	YES
RAW MATERIALS TESTED ACCORDING TO	ISO:12402-7, ISO:12402-8



## Inflatable Lifejackets Sigma Work Vest 170N, CE ISO 12402-3

### SPECIFICATIONS

	LALIZAS SIGMA ISO
CODE	72154
BUOYANCY CHAMBER	150Nt
PRODUCT CERTIFICATES	ISO 12402-3/2006
TURNING TIME minimum	< 5 sec
INDIVIDUAL FABRIC COVER	Orange Durable PVC
BELT MATERIAL	Top Quality
INFLATION	Automatic
LIFTING LOOP	Yellow
“EASY ACCESS” WHISTLE & LIFEJACKET LIGHT POSITION	YES
EASY-WEAR & PRECISE FIT DESIGN	YES
USER INSTRUCTIONS FRONT IMPRINT	YES
RAW MATERIALS TESTED ACCORDING TO	ISO:12402-7, ISO:12402-8

## Inflatable Lifejackets Omega 290N, CE ISO 12402-2

### SPECIFICATIONS

	LALIZAS OMEGA ISO	
	71103	71105
BUOYANCY CHAMBER	275Nt	
PRODUCT CERTIFICATES	ISO 12402-2/2006	
TURNING TIME minimum	< 5 sec	
BELT MATERIAL	Top Quality	
CO2 Cylinders	60gr	
INFLATION	Automatic	Automatic
ACCESSORIES	Harness & D-Ring	D-Ring
LIFTING LOOP	Yellow	
“EASY ACCESS” WHISTLE & LIFEJACKET LIGHT POSITION	YES	
EASY-WEAR & PRECISE FIT DESIGN	YES	
USER INSTRUCTIONS FRONT IMPRINT	YES	
RAW MATERIALS TESTED ACCORDING TO	ISO:12402-7, ISO:12402-8	



### Omega Lifejackets feature the following characteristics:

- CE ISO 12402-2 approval
- Twin welded air bladder seam for double security
- Ultra reliable firing mechanism
- Compatible with all major suppliers CO<sub>2</sub> bottles
- Commercial heavy duty protective outer cover
- Easy re-packing
- Economical re-arming kits
- 290 Newtons of buoyancy when fully inflated
- Auto inflator designed with improved splash resistance
- Maintain the correct flotation position in the water (face-up)
- Fully adjustable straps
- Heavy-Duty, Stainless D-Rings for attachment of a safety line



Front



**Inflatable Lifejackets Belt-Pack, Delta 150N, CE ISO 12402-3**

SPECIFICATIONS	LALIZAS DELTA ISO	
	71109	71201
CODE	71109	71201
BUOYANCY CHAMBER	150Nt	
PRODUCT CERTIFICATES	ISO 12402-3/2006	
TURNING TIME minimum	< 5 sec	
BELT MATERIAL	Standard	
INFLATION	Manual	Automatic
LIFTING LOOP	Yellow	
“EASY ACCESS” WHISTLE & LIFEJACKET LIGHT POSITION	YES	
EASY-WEAR & PRECISE FIT DESIGN	WAIST + CHEST ADJUSTABLE STRAPS	
USER INSTRUCTIONS IMPRINT	YES	
RAW MATERIALS TESTED ACCORDING TO	ISO:12402-7, ISO:12402-8	



Front

1. Turn the protective work cover, so that you face its back side
2. Open the cover around its Velcro tape and unfold it
3. While unfolded, make sure the square belt edges lie towards the center
4. Turn the inflatable lifejacket, so that you face its back side
5. Place the lifejacket on the open protective cover
6. Pass the unfolded cover side through the lifejacket's center
7. Open the square left belt edge of the cover
8. Place it under the center of the belt
9. Then pass it around the lifejacket's left belt holder (under the belt)
10. Close the cover's belt edge & secure the lifejacket's belt holder
11. Repeat the procedure with the right square belt edge of the cover
12. Close the cover around the lifejacket, using the cover's peripheral velcro tape
13. Once the protective work cover is properly adjusted, the lifejacket is ready for use

**Flameproof**



Code.....71211

**Inflatable Lifejacket Protective Work Cover**

- Provides shielding against heat, sparks, flame, soft chemicals
- Easy fit / Simple to use design
- Lightweight fabric
- Does not affect the operation, behaviour & water performance of the protected lifejacket

Suitable for



71096 - 71097

71107

Code...02197

**CO<sub>2</sub> Gas Cylinder, 60gr**

Code...00348

**CO<sub>2</sub> Gas Cylinder, 33gr**



Code.....71161

**Waist Belt Extender for SOLAS Infl. Lifejackets**



Code.....20190

**Auto re-arm kit for JS1 adult lifejacket**



Code.....71323

**Manual re-arm kit for adult lifejacket & safety pin**



Code.....71741

**Auto re-arm mechanism Hammar MA1 & cylinder 33gr**



Code.....20200

**Auto re-arm kit for JS1 child lifejacket**



Code.....71324

**Auto re-arm bobines set of 4 for adult & child lifejacket**



Code.....72311

**Manual/Automatic Cap for Hammar MA1 & Opener**

# Custom Solution

*...available upon request!*



**CUSTOMIZED PRODUCTION OF INFLATABLE LIFEJACKETS FOR GOVERNMENT TENDERS & MILITARY PURPOSES**

For conditions & requirements contact us: [commercial@lalizas.com](mailto:commercial@lalizas.com)



**SOLAS '74 Life Jackets**

SPECIFICATIONS	SOLAS '74 CHILD	SOLAS '74 ADULT
CODE	<b>70157</b>	<b>70159</b>
BUOYANCY CHAMBER	55 Nt	95 Nt
BODY WEIGHT (kg)	0-55	>55



Front

Back

**Work Vest 50N, CE ISO 12402-5**

- Approved by ISO 12402-5, 12402-7, 12402-8
- Light Weight
- Polyester anti fire outer shell
- Soft PE buoyant material
- Adjustable webbings by stainless steel D-rings and hooks
- Fabric pocket for tools or other light equipment
- Suitable for adults > 40kg with chest size 80-130cm

SPECIFICATIONS	WORK VEST ADULT
CODE	<b>71144</b>
BUOYANCY CHAMBER	50 Nt
BODY WEIGHT (kg)	>40
CHEST SIZE (cm)	80-130



Code.....**70010** Blue  
Code.....**70020** Orange

**Nautical Whistle**

- CE certified according ISO 12402-8



Code.....**70180**

**Retro reflective Tape (ROLL)**

**- SOLAS**

- Retroreflective tape to SOLAS (L.S.A Code) by Lalizas
- Tested according to IMO Res. A. 658(16)
- Length 40m.



## LALIZAS Lifebuoy Ring SOLAS



0098

SPECIFICATIONS	Lifebuoy Ring SOLAS 4,0kg
CODE	70110
WEIGHT	4.0 kg (8.81 lb)
DROP HEIGHT	80m
LIFEBUOY SHELL / INTERNAL MATERIAL	PE / PU Frothing
GRAB LINE MATERIAL	PE
HIGHLY VISIBLE COLOUR	YES
STORAGE TEMPERATURE	-30°C up to + 65°C
RESISTANT TO FLAME / DIESEL OIL	YES / YES
TESTED FOR OPERATION w. LIGHT & SMOKE SIGNAL	YES
DIAMETER OUTER / INNER	730mm / 440mm

SPECIFICATIONS	Lifebuoy Ring SOLAS 2,5kg
CODE	70090
WEIGHT	2.5 kg (5.11 lb)
DROP HEIGHT	80m
LIFEBUOY SHELL / INTERNAL MATERIAL	PE / PU Frothing
GRAB LINE MATERIAL	PE
HIGHLY VISIBLE COLOUR	YES
STORAGE TEMPERATURE	-30°C up to + 65°C
RESISTANT TO FLAME / DIESEL OIL	YES / YES
TESTED FOR OPERATION w. LIGHT & SMOKE SIGNAL	-
DIAMETER OUTER / INNER	730mm / 440mm

PRODUCT CERTIFICATES	MED approved according to SOLAS 74/78 as amended Reg. III/4, III/7, III/34, X/3, MSC.48(66), MSC.81(70) [LSA Code] as amended by MSC.207(81), MSC.36(63) and MSC.97(73) [HSC Code].
REFLECTIVE TAPE	Lalizas LA70180, SOLAS/MED approved Retro- Reflective Material. In compliance with resolution A.658 (16)



Code.....71285

**Set of Lifebuoy Ring Case, with 70090 Lifebuoy Ring & 30m Floating Rope**

**Height:** 85cm  
**Width:** 85cm  
**Depth:** 20cm



Code....71286

**Deck Pole Base for Lifebuoy Ring Case**

**Base Dimensions:** 30x30cm  
**Pole Height:** 150cm



Mounting Kit Included



**Floating Rope & Line, orange**

SPECIFICATIONS	Roll		Pre-cut	
CODE	98991	98992	98993	70260
DIAMETER (mm)	6	8	10	8
LENGTH (m)	200	200	200	30
STRENGTH (kg)	320	400	600	400



Code.....20693

**Mooring Ring with 30m rope**

- Specifications:**
- Designed for retrieval of MOB
  - PVC moulded ring, tied to a 30m floating rope
  - Ext. Diam.: 17,5 cm
  - Int. Diam.: 10,5 cm



0098

Code.....70030

### Lifebuoy Light M.O.B (LSA Code)

**Specifications**

- SOLAS/MED approved
- Less than 2cd in all directions of the upper hemisphere for a period of at least 2h (at white color).
- To be used with 4 alkaline batteries Size D.



Code.....70000

**Lifebuoy Light holder**



Code.....50530

**Spring Clip Ø35**

Code.....71325

### LALIZAS Lifebuoy Light SOLAS/MED

**Specifications:**

- SOLAS/MED approved
- Five year life time
- No maintenance or replacement batteries are required
- Supplied complete with bracket & 1m Lifebuoy Lanyard
- Compact size
- Mounting bracket with easy fitting in all locations
- Advanced LED technology for low consumption and enhanced reliability



0098



Code.....99826

**Fixed Mount Support Base for "Store-All" Cases - Graphite**

Code.....99824

**Rail Support Base for "Store-All" Cases - Graphite**

The 71325 & 71326 holding base can be self mounted or combined with "Store All" supports



99824  
Rail Support Base for "Store-All" Cases - Graphite



99826  
Fixed Mount Support Base for "Store-All" Cases - Graphite



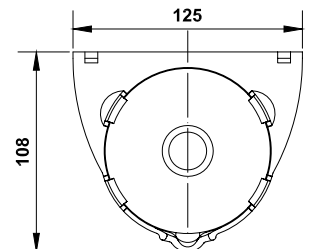
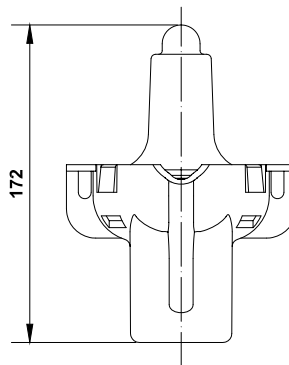


Code.....71326

**LALIZAS Lifebuoy Light SOLAS/MED-ATEX/IECEX**

**Specifications**

- The Best Intrinsic Safe Lifebuoy Light in the World –ATEX T4 Certificate (safe use in potentially explosive atmospheres where the ignition point is  $\geq 135^{\circ}\text{C}$ )
- SOLAS/MED approved
- ATEX & IECEx Intrinsically Safe Approvals
- Intrinsically safe, for use in all potentially explosive zones
- Five year life time
- No maintenance or replacement batteries are required
- Supplied complete with bracket & 1m Lifebuoy Lanyard
- Compact size
- Mounting bracket With Easy fitting in all locations
- Advanced LED technology for low consumption and enhanced reliability



Dimensions are in mm



0098

## Immersion Suits

- To be worn in conjunction with an approved lifejacket
- Can be unpacked, donned and secured in less than 2 min
- Fitted with 400 cm<sup>2</sup> of LALIZAS SOLAS retro-reflective tape
- Permanent Hands cover with neoprene gloves
- Covers whole body, apart from face
- Highly visible red color
- Ergonomically tested, per MSC/circ980
- Thermally Insulated: has passed all MSC/Circ980 tests
- Diesel-Oil Resistant: has passed all MSc/Circ 980 tests
- Flame Resistant: has passed all MSC/Circ980 tests
- Has been submitted successfully to water ingress, jump and leak tests, per MSC/circ 980
- Stowage Temperature: -30°C to +56°C (Temperature Cycling Tests per MSC/Circ 980)

### **Specifications:**

- Neoprene material
- Neoprene gloves
- Original LALIZAS SOLAS retro reflective tape, code: 70180
- Buddy line with special pocket case
- Extra safe zipper. Shields the suit & prevents water penetration



**Immersion Suits Insulated “Neptune”**

SPECIFICATIONS	Adult		Child
CODE	70454	70455	71246
SIZE	Universal Size	Xlarge	Junior
SOLAS	YES	YES	NO
HEIGHT RANGE (cm)	160-190	max 205	100-150
WEIGHT RANGE (kg)	55-95	85-130	18-40



0098



*\* Rubber gloves are available on demand and suitable with 72115*

**Immersion Suits Insulated “Neptune” with rubber gloves**

SPECIFICATIONS	Immersion suite, Adult
CODE	70457*
SIZE	Universal Size
HEIGHT RANGE (cm)	160-190
WEIGHT RANGE (kg)	55-95



DONNING INSTRUCTIONS (Code) 831568

Code.....70168

**Inspection device for Immersion suit**

MSC /Circ./1047, MSC /Circ. 1114

The aluminium kit contains a set of Servicing Equipment.

- Face fixture (two parts)
- Pressure gauge (0-6kPa)
- Foot pump (with multi-valve adaptor)
- Glue and applicator (two pieces)
- Neoprene patches





## LALIZAS SOLAS/MED Self Contained Breathing Apparatus

This SOLAS/MED -approved SCBA offers reliability and comfort and its key features are:

- Open circuit on demand positive pressure Self Contained Breathing Apparatus
- Anatomic carbon fibers composite material back frame with harness for perfect and easy donning
- Both back frame and harness are flame retardant, waterproof and antistatic
- With warning whistle providing a continuous sound of high intensity (>90Db) warning the user that the air is dropping down
- Packed in heavy duty plastic carrying suitcase

The SCBA contains the following parts:

- Breathing apparatus carrier with harness
- Pressure regulator with gauge & whistle
- Pressure & air flow regulator
- Breathing apparatus facemask
- Compressed air cylinder
- Compressed air cylinder valve, 300bar



**0098**



SPECIFICATIONS	Breathing Apparatus
CODE	<b>71328</b>
CYLINDER VOLUME (L)	9
CYLINDER MATERIAL	Carbon Composite
WORKING PRESSURE (Bar)	300
WARNING PRESSURE (Bar)	40-60
AIR CAPACITY (lt)	2700
WEIGHT (kg)	≤12
PACKING DIMENSIONS (cm)	280x445x735
APPROVAL	SOLAS/MED

Code.....02303

**Spare compressed air cylinder 9lt & Valve 300bar assembly with air**



**LALIZAS SOLAS/MED Self Contained Breathing Apparatus**



0098



Code.....02302

**Spare compressed air cylinder 6lt & Valve 300bar assembly with air**

**SPECIFICATIONS**

**Breathing Apparatus**

CODE	71327
CYLINDER VOLUME (L)	6
CYLINDER MATERIAL	Steel
WORKING PRESSURE (Bar)	300
WARNING PRESSURE (Bar)	40-60
AIR CAPACITY (lt)	1800
WEIGHT (kg)	≤15
PACKING DIMENSIONS (cm)	270x490x755
APPROVAL	SOLAS/MED



**LALIZAS Emergency Evacuation Breathing Device (EEBD) "ESCAPE-15"**

The Lalizas Emergency Escape Breathing Device (EEBD), complies with the amended SOLAS ch.II-2 and the IMO MSC/Circ.849. All vessels on international routes must carry EEBDs on board.

**Lalizas approved EEBD carries the following characteristics:**

- Flame resistant materials, silver in colour to reflect heat and be highly visible.
- Durable and reliable construction with low maintenance
- Full-face hood fits all persons
- Steady air-flow for 15 minutes with sufficient air delivery rate
- Easy visual access on the pressure gauge
- Working temperature range: -10°C to 65°C
- Easy to refill cylinder - no adaptor required
- Approved to SOLAS Chapter II - 2 and MSC/Circ.849 & designed to meet EN1146:2005 & ISO 23291-1(2008)

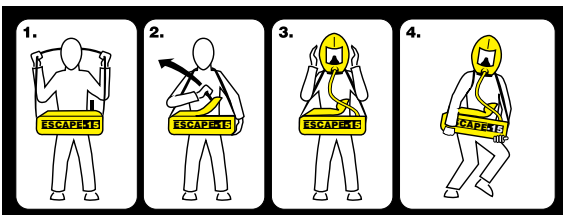
**SPECIFICATIONS**

**Breathing Device**

CODE	70321
VOLUME	14300 cm <sup>3</sup>
WEIGHT	5500 gr
HEIGHT	22 cm
WIDTH	13 cm
LENGTH	50 cm



0098



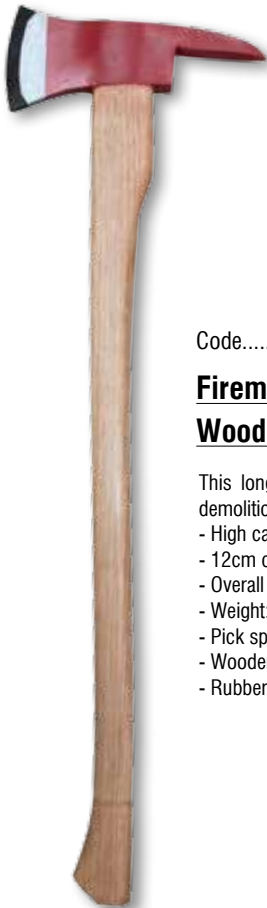


## LALIZAS Fire Hose CE



0098

- EPDM Lining (synthetic rubber lining)
- Circular woven 100% polyester high tenacity yarn fabric
- Working Pressure: 15 bar
- SOLAS Approved by GL
- EPDM Lining (synthetic rubber lining)
- Circular woven 100% polyester high tenacity yarn fabric
- Working Pressure: 15 bar
- Available in various diameters from 1.5"/38mm up to 2.5"/64mm
- Available in various lengths with and without couplings



Code.....71685

### Fireman Axe with Long Wooden Handle 2,8kg

- This long fireman's axe is the ideal tool for demolition work.
- High carbon steel blade
  - 12cm cutting edge
  - Overall length: 90cm
  - Weight: 2.8kgr
  - Pick spike for piercing and prying
  - Wooden ash handle
  - Rubber protective blade cover



Code.....71686

### Fireman Axe with Short Anti Slip Handle 1,2kg

- This short fireman's axe provides heavy duty chopping power to gain access to locked doors and hollow walls during an emergency.
- High carbon steel blade
  - 9cm cutting edge
  - Overall length: 34cm
  - Weight: 1.2kgr
  - Pick spike for piercing and prying
  - Anti slip handle
  - Rubber protective blade cover



## Fire Blanket in a case PVC

SPECIFICATIONS	Fire blanket	
CODE	70448	71298
DIAMENSION (cm)	100x100	120x180



## LALIZAS Inflatable tank check boat "Hercules 240"

- Suitable for inspection of deep tanks of tanker ships.
- Made of extra strong PVC 1100D 1050 g/m<sup>2</sup> with cold welded seams.
- PVC material providing resistance to extreme temperatures and chemicals, such as petrol and oil
- 2-year warranty on the tube materials and seams

*Remember to carry the necessary safety equipment at all times when using any inflatable boat.*



### SPECIFICATIONS

### Inflatable boats

CODE	50920	50921
"HERCULES"	240	240CK
MAXIMUM NUMBER OF PERSONS	3	
MAXIMUM LOAD	310 kg	
MAXIMUM POWER	4,9 Hp / 3,6 KW	
OVERALL DIMENSIONS	240 x 142 cm	
STOWED DIMENSIONS	102x32x48 cm	102x30x60 cm
WEIGHT (INCLUDING FLOOR)	26 kg	34 kg
FLOOR	3 Wooden Slats (80x20x1,2cm)	Continuous Foldable Wooden
KEEL	-	Inflatable
AIR CHAMBERS DIAMETER	40 cm	
NUMBER OF AIR CHAMBERS	2	
SEAT	Wooden Seat (80x23x1,5cm)	
D-RINGS	1	
STANDARD EQUIPMENT INCLUDED	Packaging Bag, Repair Kit, Foot Pump, 2 Paddles	





0191

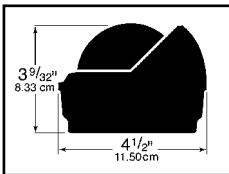
The Wheelmark Symbol denotes conformance with Standard ISO 10316(E) and ISO 613:2000(E).



## Compasses Voyager S-87

SPECIFICATIONS	Compasses	
CODE	31260	31261
DESCRIPTION	Voyager S-87	Voyager S-87W
COLOUR	Black	White

- Boat Style/Size: Power/Up to 28 Feet (8.54m)
- Dial Size/Design: 3" (7.62cm)/Flat Card or Direct Read
- Night Lighting: 12V Green
- Compensators: Built-in
- Warranty: 5-Year
- Approx. Shipping Wt.: 1 lb. 3 oz. (539g)



## Compasses Voyager B-81, with bracket mount

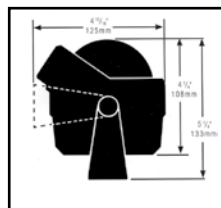


0735

The Wheelmark Symbol denotes conformance with Standard ISO 10316(E) and ISO 613:2000(E).

SPECIFICATIONS	Compass
CODE	71156
COLOUR	Black

- Boat Style/Size: Power
- Dial Size/Design: 3" (7.62cm)/Flat Card or CombiDial
- Night Lighting: 12V Green
- Compensators: Built-in
- Warranty: 5-Year
- Approx. Shipping Wt.: 1 lb. 3 oz. (539g)





Code.....31367

**Binoculars Waterproof with Compass  
Sea Nav WECR 7x50**

**Technical Specifications**

- Magnification: 7X
- Lens Diameter: 50mm
- Angle of Vision: 7.5°
- Exit Pupil: 6,8mm
- Eye Relief: 23mm
- Focus: Individual
- Waterproof: Yes
- Fog proof: Yes
- Floating: Yes
- Prism Type: Porro BAK-4
- Field of View: 132@1000m
- Rangefinder: Yes
- Lens Coating: Fully coated
- Compass: Yes
- Weight: 890gr
- Dimensions: 20x8x15cm



Range finding reticule scale



Code.....31317

**Binoculars Auto Sea Nav SAF 7x50**

**Technical Specifications**

- Magnification: 7X
- Lens Diameter: 50mm
- Angle of Vision: 6.2°
- Exit Pupil: 7,1mm
- Eye Relief: 10mm
- Focus: Auto-focus
- Prism Type: Porro K9
- Field of View: 133@1000m
- Lens Coating: Fully coated
- Housing: Rubber
- Weight: 750gr
- Dimensions: 6,5x19x20cm



Code.....72149

**Night-Vision Monocular, SeaNav**

**Technical Specifications**

- Magnification: 5X
- Lens Diameter: 40mm
- Field of View: 5o x 3.75o
- Ocular adjustment range: +/- 0.6
- Observing distance:  
2m (Low light environment)  
200m-∞ (Dark environment)
- Voltage: 3.7V DC
- Battery: RCR123A rechargeable
- Charger: 5.0V/2A Adaptor
- Dimensions: 200 x 86 x 56mm
- Weight: 400g





## Straight pattern brass dividers

SPECIFICATIONS	Dividers	
CODE	<b>94003</b>	<b>94004</b>
LEGTH	17,8 cm (7")	20,3 cm (8")



## Parallel ruler

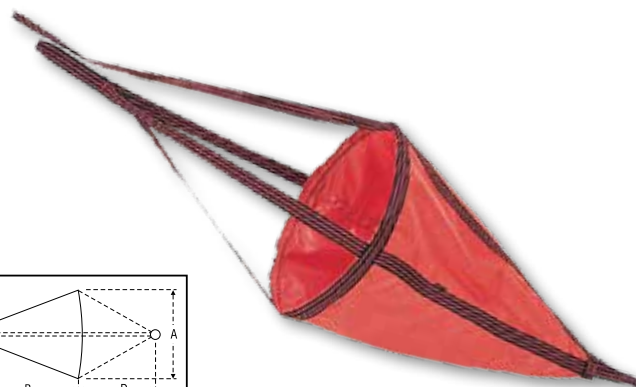
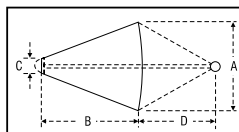
SPECIFICATIONS	Dividers	
CODE	<b>94008</b>	<b>94009</b>
LEGTH	17,8 cm (7")	20,3 cm (8")

## Sea Anchor (Drogue)

Made of strong coated PVC with continuous webbing inside, for added strength. Suitable for boats between 4,5-12m.

CODE	Boats Length	A(cm)	B(cm)	C(cm)	D(cm)
<b>10073</b>	7,5m (25ft)	125	125	17	125
<b>10074</b>	9m (30ft)	135	142	20	125

ATTENTION: This is a very general guide and there may be variations based on the weight, keel of the boat, even on the intended use of the sea anchor etc. Your choice should not be based only on the guide.



Code.....**71245**

## First Aid Kit SOLAS 74, For Life Boats - Life Rafts

Certified by the Ministry of Merchant Marine/Merchant Ships Directorate according to  
 - the International Convention on the Safety of Life at Sea 1974 (SOLAS 74) and the 1983 amendments  
 - the Royal Decree 36/1967  
 - the Presidential Decree 277/1997.

### Contents

Anti-Angina Preparations, Anti-Hemorrhagics Including Uterotonics, Anti-Acid Mucous Dressings, Anti-Emetics, Anti-Diarroeals, Analgesic-Antipiretics, Analgesic-Anti-Inflammatory Preparation, Antiseptic Mercurochrom, Antiseptic Eau Oxygenee, Burn Preparation, Cannula for Mouth to Mouth Resuscitation, Adhesive Elastic Bandage, Sterile Gauze Compresses, Cotton Wool, Disposable Polyethylene Gloves, Adhesive Dressings, Sterile Compression Bandages, Adhesive Sutures, Sterile Gauze with Fatty Water and Vegetable Oils for Burns, Adhesive Tape, Scissors, Thermometer, Disposable Syringes 2.5ml - 5ml



## Storage Bottle

SPECIFICATIONS	Bottle
CODE	<b>39644</b>
CAPACITY (LT)	12
DIAMETER (MM)	240
HEIGHT (MM)	380



Code.....**11919**

## Scoop bailer 2.5lt, orange





**Palm Grip Paddle**

Made of a marine grade aluminum shaft and virtually indestructible plastic handle and collar.

SPECIFICATIONS	Telescopic Hook
CODE	<b>50300</b>
DIAMETER	35 mm
LENGTH	220 cm



**Telescopic Hook with 2 ends, Aluminium**

SPECIFICATIONS	Telescopic Hook
CODE	<b>50050</b>
DIAMETER	3 cm
LENGTH (min)	118 cm
LENGTH (max)	204 cm



**Telescopic Handle for hook, Aluminium**

SPECIFICATIONS	Telescopic Hook
CODE	<b>57342</b>
DIAMETER	2,2 - 2,5 cm
LENGTH (MIN)	165 cm
LENGTH (MAX)	305 cm

Code.....**57343**

**Hook with Thread - Black**

Ø 22 mm



Code.....**70461**

**Thermal Protective Aid "Alusafe-T" - LSA Code**

- SOLAS Approved by "Lloyds" Registry
- Constructed with aluminium film coated fabric, protecting against hypothermia
- Ideal for prolonged exposure in liferaft and rescue boats
- Survivor's protection from wind and cold is warranted
- Dimensions: 2,20x0,98 m



**0098**





## LALIZAS IMO SIGNS

### Categories

- 1 IMO Symbols with text
- 2 IMO Symbols without text
- 3 Safety Signs
- 4 Direction Signs
- 5 Low Location Lighting Components
- 6 Transparent Signs
- 7 Fire Control Symbols to resolution A654
- 8 Fire Control Symbols to ISO17631
- 9 LSA Signs
- 10 Fire Signs
- 11 Mandatory Signs
- 12 Hazard Signs
- 13 Prohibition Signs
- 14 Combination Signs
- 15 Space Identification Signs
- 16 ISPS Code Signs
- 17 Galley Signs
- 18 Miscellaneous Signs
- 19 Accommodation Signs
- 20 Tie Tags
- 21 Signs for Passenger Vessels & Terminal Building
- 22 Hazard Diamonds
- 23 Posters
- 24 Pipe Identification Tape
- 25 Special Products

Material	
Lalizas Code	
Material	(814100)
81 - Photoluminescent, self adhesive vinyl	
82 - Photoluminescent, rigid PVC	
83 - White, self adhesive vinyl	
84 - White, rigid PVC	
85 - White, self adhesive paper or laminated paper	
86 - Transparent vinyl	
87 - Transparent, rigid plastic	
88 - Coloured vinyl or coloured polyethylene	



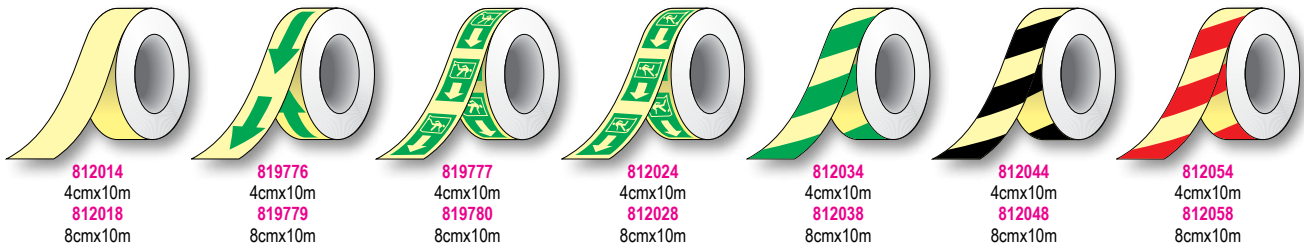
Manufactured with the superior quality of 3M™

**GET LALIZAS IMO SIGNS**  
Supplied Within **24 HOURS** in

GREECE  
SPAIN  
SINGAPORE  
SOUTH AFRICA

[www.lalizasimosigns.com](http://www.lalizasimosigns.com)

Low Location Lighting Components



812014  
4cmx10m  
812018  
8cmx10m

819776  
4cmx10m  
819779  
8cmx10m

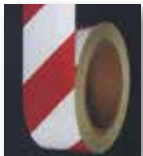
819777  
4cmx10m  
819780  
8cmx10m

812024  
4cmx10m  
812028  
8cmx10m

812034  
4cmx10m  
812038  
8cmx10m

812044  
4cmx10m  
812048  
8cmx10m

812054  
4cmx10m  
812058  
8cmx10m



880001  
5cmx10m  
880002  
9cmx10m



880003  
5cmx10m  
880004  
9cmx10m



880005  
5cmx10m  
880006  
9cmx10m



812086  
5x5cm  
812088  
8x10m



822396  
Rigid Sheet 8x100cm

822397  
Aluminium frame 8,2x100cm

822394  
Set III system rigid 7,5x100cm

822395  
End Cap

812800  
Magnetic sticky strips  
812801  
Double sided sticky pads  
812802  
Sign adhesive  
812803  
Applicator gun

# Become the next IMO Signs specialist in your region



## HOW

- ✓ Create Local LALIZAS IMO Business Units
- ✓ Purchase of Suitable Printing Machinery
- ✓ Access in LALIZAS IMO Signs Software
- ✓ Training by LALIZAS in printing methods, signs stock management
- ✓ Technical Support

## BENEFITS

- ✓ On the spot production
- ✓ No transportation charges
- ✓ Cross selling of LALIZAS LSA products
- ✓ LALIZAS Brand Awareness

**BINOCULARS**



**LIFEBUOY RING & LIGHT**



**INFLATABLE LIFEJACKET**



**EEBD**



**FIRE-FIGHTING EQUIPMENT**



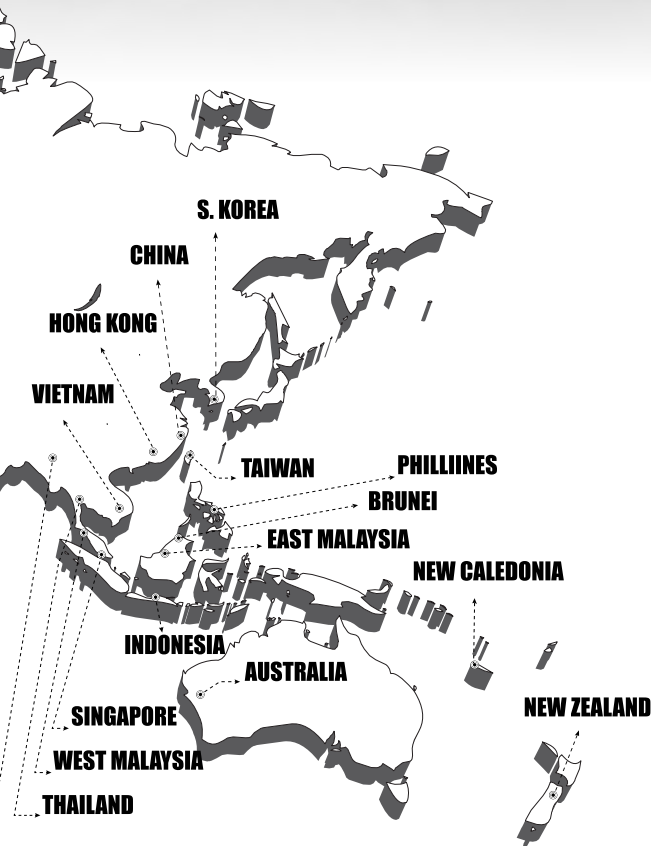






## Service Station Network

1. Appropriate Approved Facilities
2. Stock Flexibility
3. Original Spare Parts
4. 24/7 Service



Check your nearest Service Station  
on-line at

[www.lalizas.com/service.php](http://www.lalizas.com/service.php)

## LIFERAFTS SOLAS & NON-SOLAS

Professional and certified service

Lalzas Liferrafts provide the flexibility of being serviced anywhere in the world, offering a global solution for both Commercial & Recreational users. Our Global Service Stations Network is fully supported by LALIZAS Headquarters, in order to maintain and evolve the quality of our After Sales Service. All authorized service stations have been approved to provide necessary actions of complete Liferaft servicing and to offer our customers:

- Detailed Testing
- Complete Product Service
- Original Inspection Certificates



## IMMERSION SUITS

Leak tight service



Every station includes all the necessary certifications to be authorized and inspect your acquired LALIZAS products. Our LALIZAS Neptune Immersion suits are found throughout the Global Shipping Industry and in several commercial vessels creating the need to be available for service in multiple ports of call.



## LIFEJACKETS SOLAS & NON-SOLAS

Making you safe within a short time

When the most famous and best selling product range of LALIZAS is escorted by a solid station network, it is quite imminent to be announced as the cornerstone of all users' requested flexibility.

Inflatable Iijacket Inspection is provided through LALIZAS service practice with the most flexible way to deliver your items always on time and validated through the current regulations.



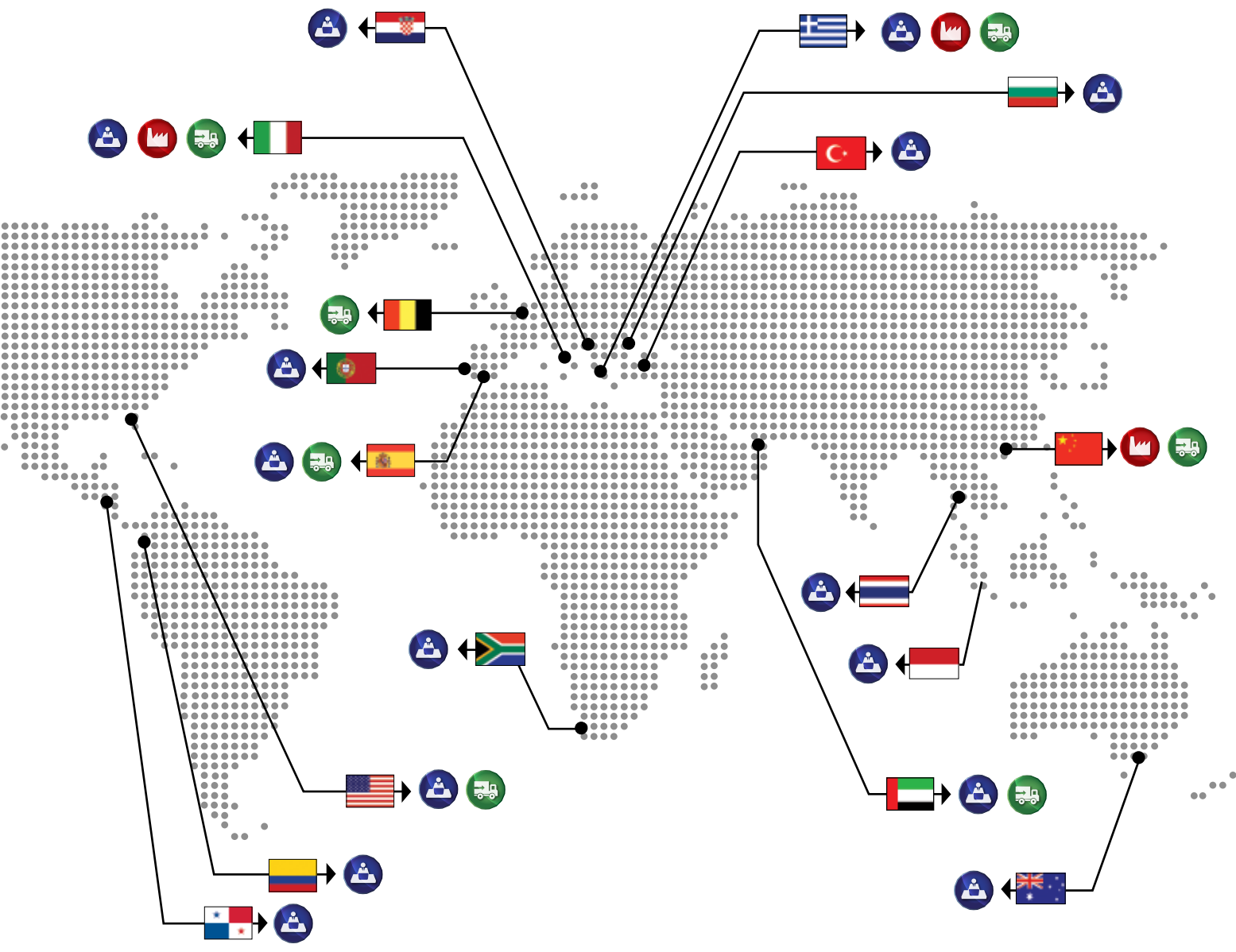
## BREATHING DEVICES

Feel free to breathe safe



Making the highest standard inspections and services to assure normal operation in each device. Our Service teams around the world keep their mind and give priority on "Safety First". Our quality control goes through checking all valves, pressure gauges and even the compressed air quality to assure maximum operation for the user.

# Global Leader with Multinational Presence



**DISTRIBUTION  
CENTERS**



**MANUFACTURING  
FACILITIES**



**LOGISTICS  
CENTERS**

# Contact Lalizas Team and find out your nearest Lalizas Stock Point world-wide.

## 3 ways to contact us:

- Call us at +30 2104226274
- Send us your enquiry at <http://www.lalizas.com/contact.php>
- Drop us an e-mail at: [commercial@lalizas.com](mailto:commercial@lalizas.com)

## Our qualified sales department will help you:

- Define and serve your product needs
- Reply to any technical questions
- Guide you to your nearest port of supply



**LALIZAS**   
Simply life saving

**LALIZAS Hellas**  
3 Gounari, Piraeus P.C.18531  
Tel.: +30 210 4226274  
Fax: +30 210 4226273  
E-mail: [commercial@lalizas.com](mailto:commercial@lalizas.com)

[www.lalizas.com](http://www.lalizas.com)